

WARNING: READ THE ASSEMBLING INSTRUCTIONS CAREFULLY BEFORE ASSEMBLING THE EZYSEAT FREE STANDING BENCH SEAT ONLY.




Make sure to wear protective gloves and foot protection when installing and assembling this product. Unpack the unit and make sure all the components are included before proceeding. This activity requires two or more people as lifting is involved. Please ensure bolts are only finger-tightened during the assembling process for flexibility in lining up components. Securely tighten the bolts before anchoring the product to the ground.




**2m. EZYSEAT FREE STANDING BENCH SEAT
(CODE No. EZYJFSS2)**


ITEM PART	DESCRIPTION	QTY
JFS1	SEAT LEG /FRAME	2
JFS2	2000 mm.—SEAT ALUMINIUM PLANK	1
JFS3	M6x25 mm. HEXAGONAL HEAD BOLT	8
JFS4	M6 LOCKNUT	8




JFS1



JFS2



JFS3



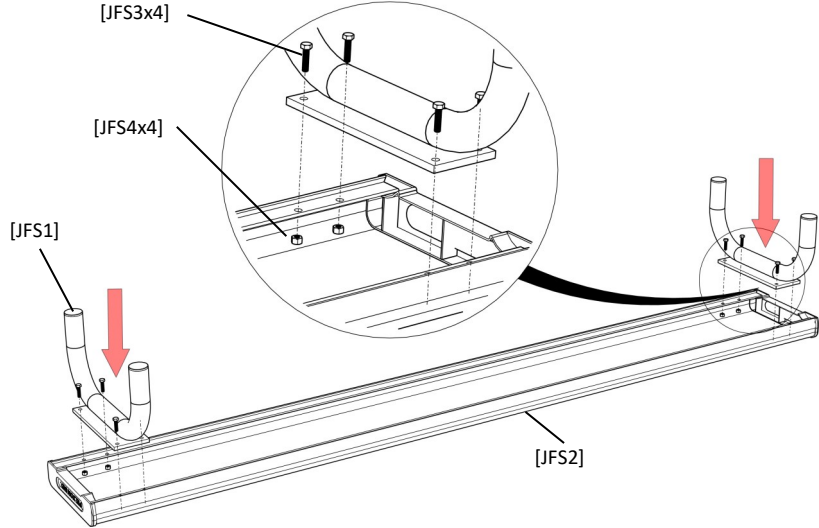
JFS4

Thank you for purchasing our high quality products. The Ezyseat Free Standing Bench Seat has been well manufactured with certified materials, to achieve high reliability and minimum maintenance. It is our commitment to provide you cost-effective solutions for outdoor applications.

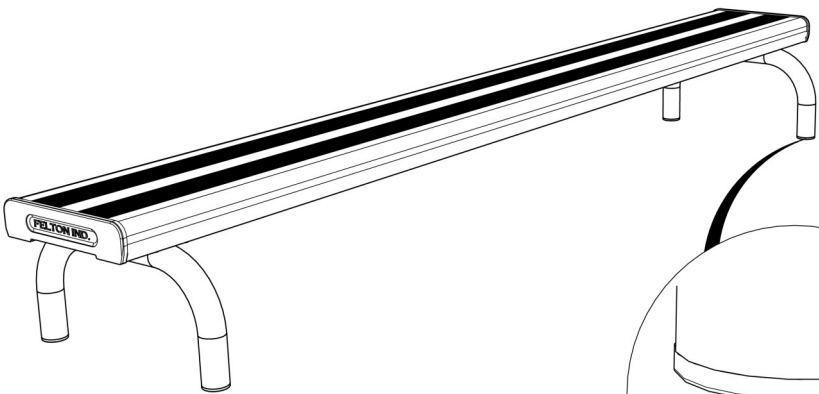


1

Place the seat plank (JFS2) up side down on a flat surface and attached it to the frames (JFS1), by using hex. head bolts (JFS3) and locknuts (JFS4) — finger tighten.



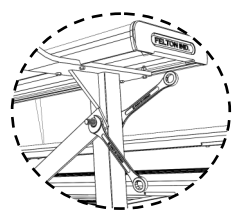
2



Adjust all bolts properly with a span, wrench and/or any appropriate tool. Turn the bench seat up and use it on firm level ground.

The JFSS2 use is highly recommended for 2-4 years infants.

PLASTIC END CAP



1