

WARNING: READ THE ASSEMBLING INSTRUCTIONS CAREFULLY BEFORE ASSEMBLING THE ABOVE GROUND BENCH SEAT ONLY.





Make sure to wear protective gloves and foot protection when installing and assembling this product. Unpack the unit and make sure all the components are included before proceeding. This activity requires two or more people as lifting is involved. Please ensure bolts are only finger-tightened during the assembling process for flexibility in lining up components. Securely tighten the bolts before anchoring the product to the ground.





**3m – ABOVE GROUND BENCH SEAT
(CODE No. FELAG3)**

ITEM PART	DESCRIPTION	QTY
AGB1	SEAT FRAME	3
AGB2	3000 mm.—SEAT ALUMINIUM PLANK	1
AGB3	M6X25mm. HEXAGONAL HEAD BOLT	12
AGB4	M6 LOCKNUT	12

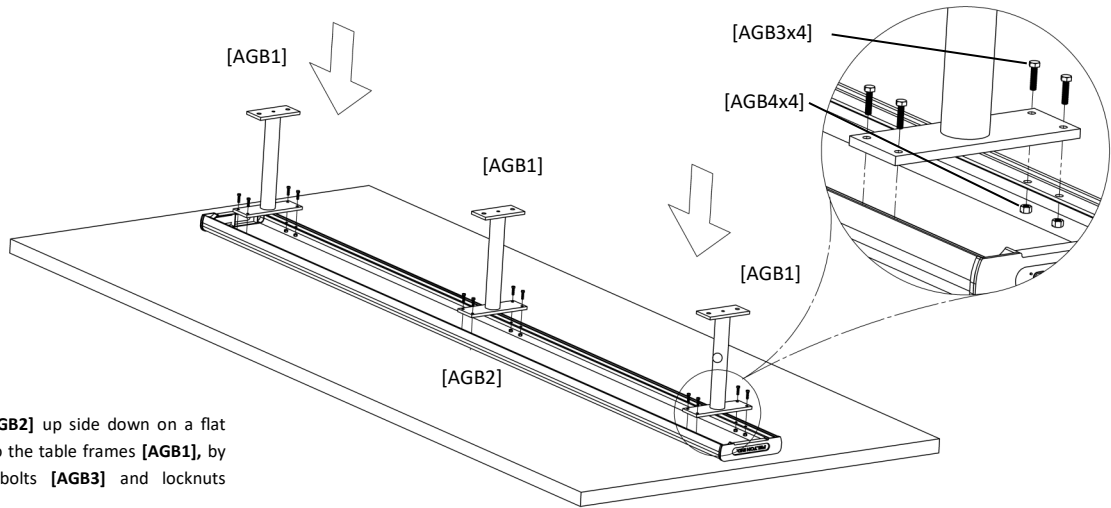

AGB1


AGB2


AGB3


AGB4

Thank you for purchasing our high quality products. The Above Ground Bench Seat has been well manufactured with certified materials, to achieve high reliability and minimum maintenance. It is our commitment to provide you cost-effective solutions for outdoor applications.

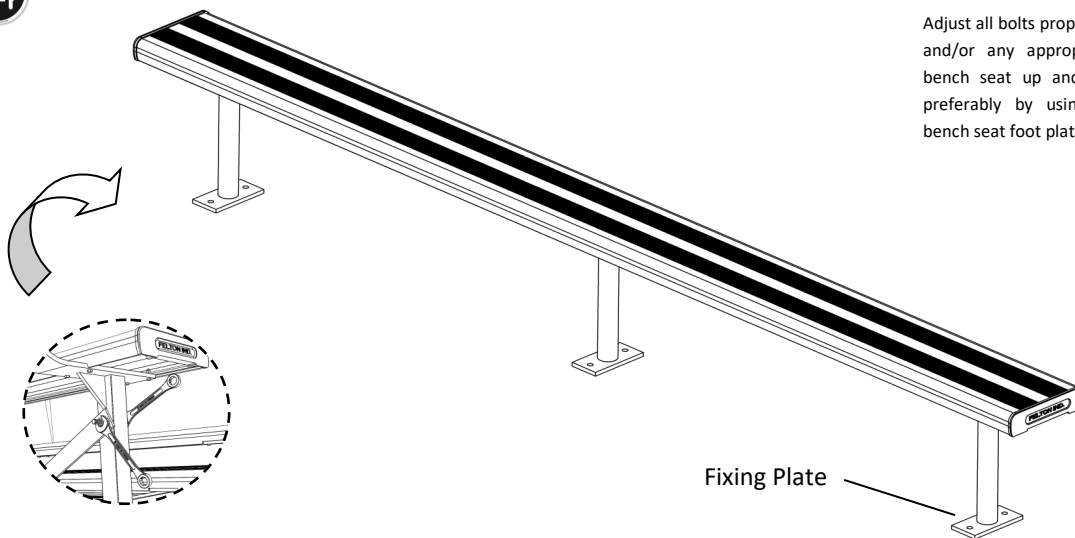


Place the table plank [AGB2] up side down on a flat surface and attached it to the table frames [AGB1], by using hexagonal head bolts [AGB3] and locknuts [AGB4] — finger tighten.

1



2



Adjust all bolts properly with a span, wrench and/or any appropriate tool. Turn the bench seat up and fix it to the ground, preferably by using dyna-bolts on each bench seat foot plate.

Fixing Plate