

WARNING: READ THE ASSEMBLY INSTRUCTIONS CAREFULLY BEFORE ASSEMBLING THE BAG RACK.

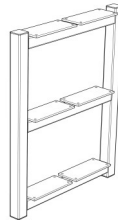


Make sure to wear protective gloves and foot protection when installing and assembling this product. Unpack the unit and make sure all the components are included before proceeding. This activity requires two or more people as lifting is involved. Please ensure bolts are only finger-tightened during the assembling process for flexibility in lining up components. Securely tighten the bolts before anchoring the product to the ground.



ASSEMBLY INSTRUCTIONS
BAG RACK
(Code No. BR25)

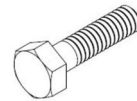
ITEM	DESCRIPTION	QTY
BR1	MAIN FRAME	3
BR2	BAG RACK PLANK	6
BR3	M6 x 25mm. HEX. HEAD BOLT	72
BR4	M6 LOCKNUT	72



BR1



BR2



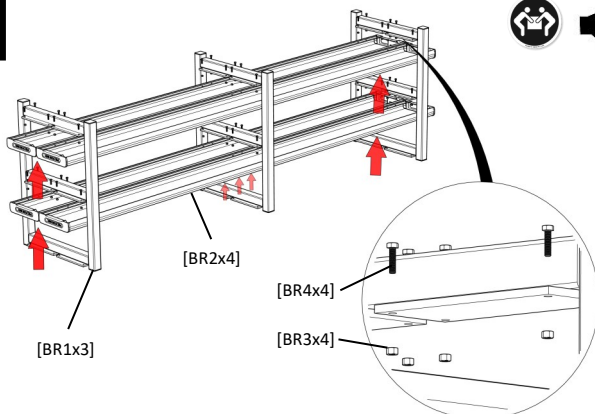
BR3



BR4

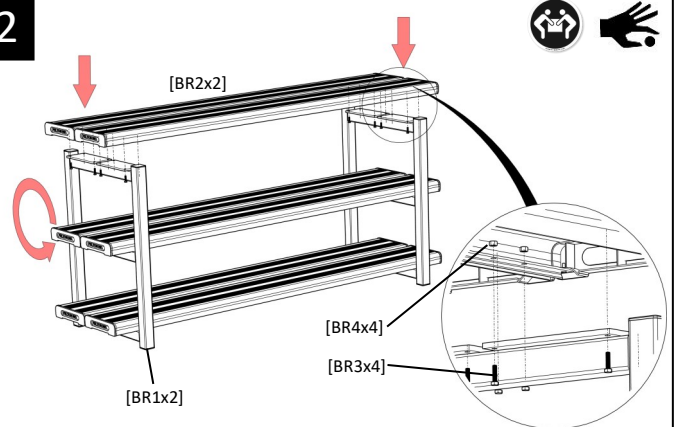
Thank you for purchasing our high quality products. The Bag Rack has been manufactured with certified materials, to achieve high reliability and minimum maintenance. It is our commitment to provide cost effective solutions for outdoor applications.

1



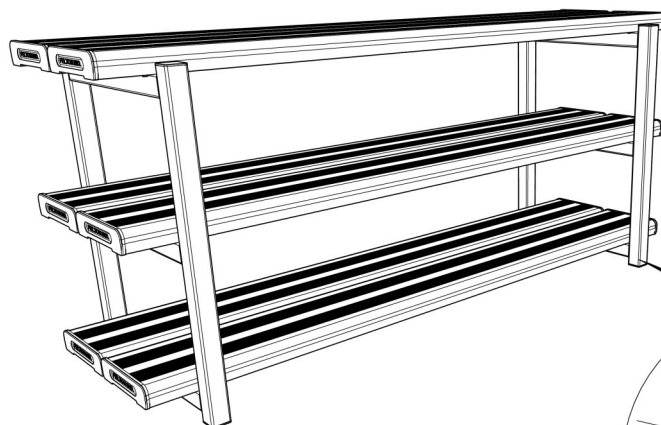
Lay the 3 main frames/legs [BR1] upside down. Place 2 lower planks [BR2] within the frames and hold them evenly. Attach the legs to the lower planks, by using hex head bolts [BR3] and locknuts [BR4]. Repeat the same process with the next planks level.

2



Rotate the entire unit 180° and bolt the top planks [BR2] to the main frames [BR1], by using hex head bolts [BR3] and locknuts [BR4].

3



plastic end cap

Tighten all bolted joints with spanners and appropriate tools.
It is recommended to use the free standing bag rack on firm level ground.