
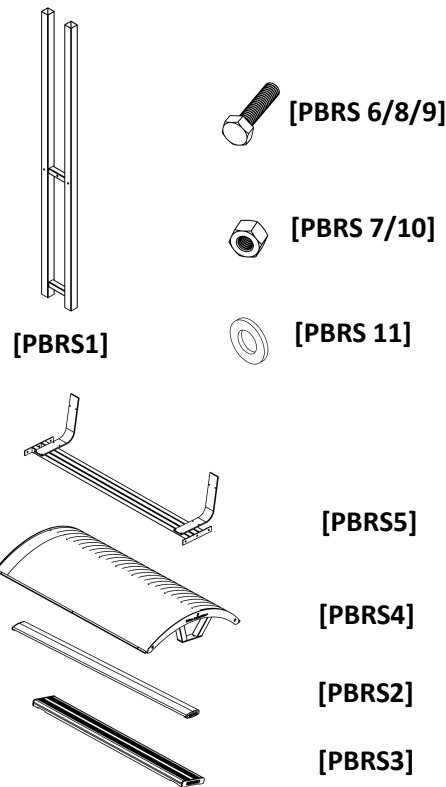


WARNING: READ THE ASSEMBLY INSTRUCTIONS CAREFULLY BEFORE ASSEMBLING THE BANK REST BENCH SHELTER.

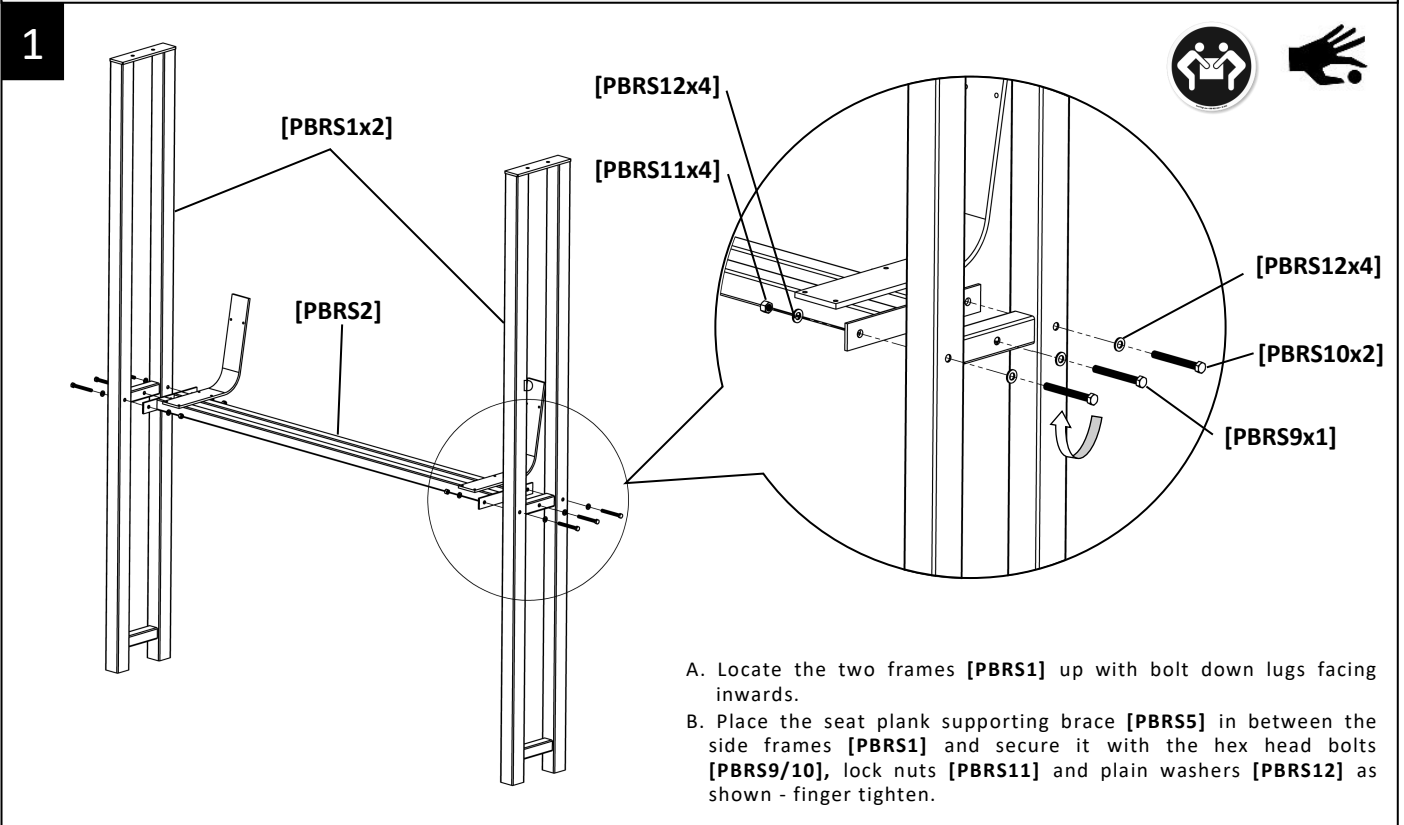


Make sure to wear protective gloves and foot protection when installing and assembling this product. Unpack the unit and make sure all the components are included before proceeding. This activity requires two or more people as lifting is involved. Please ensure bolts are only finger tightened during the assembling process for flexibility in lining up components. Securely tighten the bolts before installing the Back Rest Bench Shelter into the ground.

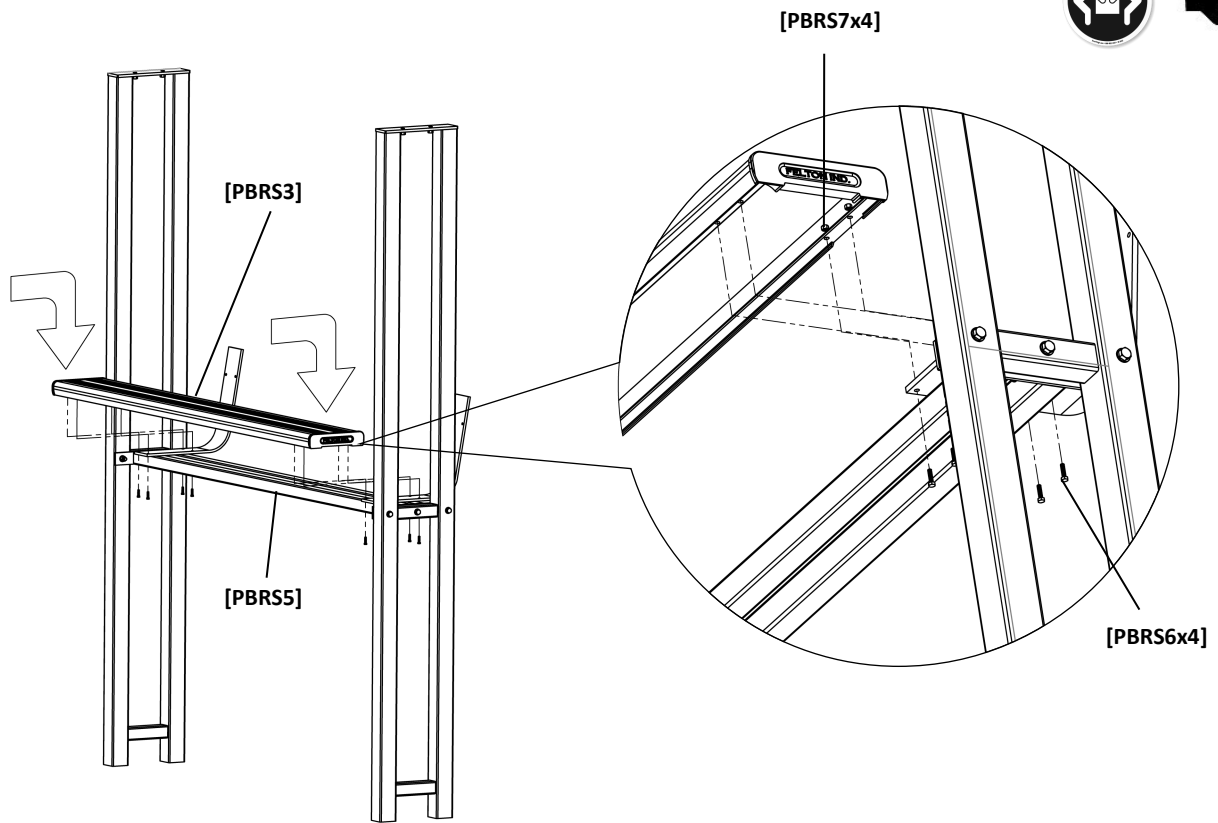


 <p>BACK REST BENCH SHELTER (CODE No. FELBRSH)</p>	ITEM	DESCRIPTION	QTY	
	PBR51	SIDE FRAME	2	
	PBR52	BACK REST-2040 mm.	1	
	PBR53	SEAT PLANK -2040 mm.	1	
	PBR54	ROOF ASSEMBLY	1	
	PBR55	SEAT PLANK SUPPORT	1	
	PBR56	M6 x 25mm. HEX BOLT	12	
	PBR57	M6 LOCK NUT	12	
	PBR58	M12 x 45 mm. HEX. BOLT	4	
	PBR59	M12 x 90 mm. HEX.BOLT	2	
	PBR510	M12 x 110 mm. HEX.BOLT	4	
	PBR511	M12 LOCKNUT	10	
	PBR512	M12 PLAIN WASHER	20	

Thank you for purchasing our high quality products. The Back Rest Bench Shelter has been manufactured with certified materials to achieve high reliability and minimum maintenance. It is our commitment to provide cost - effective solutions for outdoor applications.

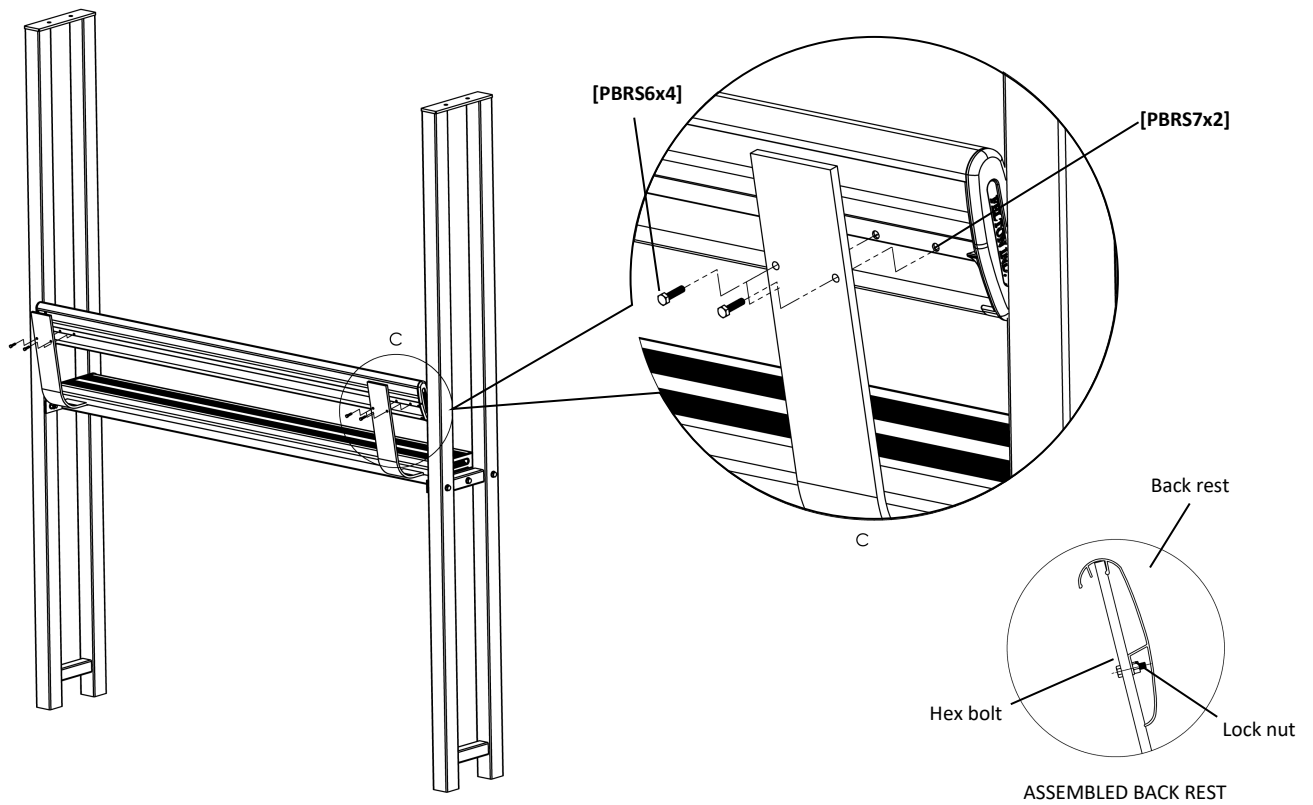


2



A. Place the seating plank **[PBR53]** on to the fixing plates of the supporting brace **[PBR55]** and secure them, by using hex. head bolts **[PBR56]** and lock nuts **[PBR57]** - Finger tighten.

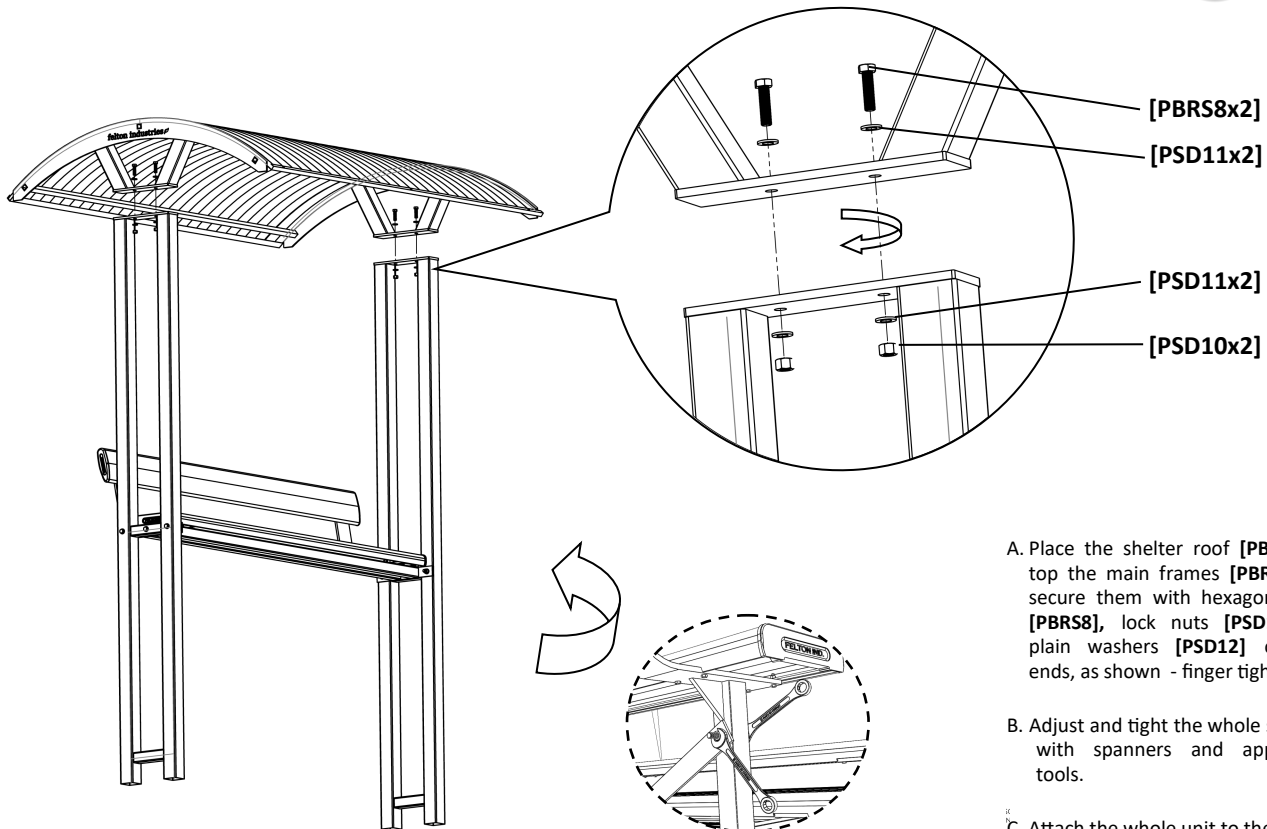
3



A. Place the back rest plank **[PBR52]** on to the fixing plates of the supporting brace **[PBR55]**, and secure it, by using hex. head bolts **[PBR56]** and lock nuts **[PBR57]** - Finger tighten.

P2

2

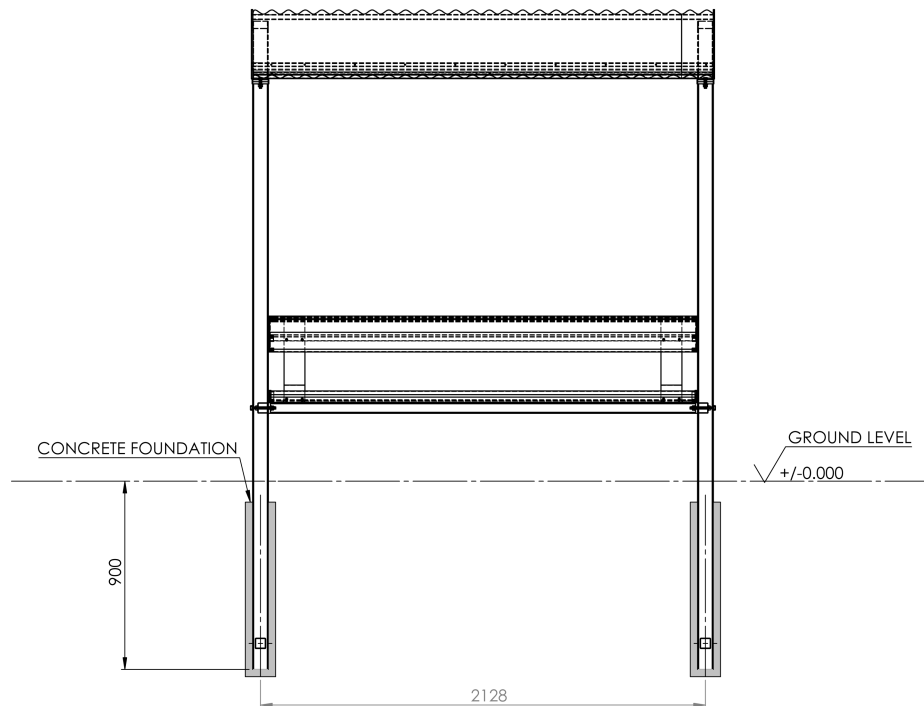


A. Place the shelter roof [PBR54] on top the main frames [PBR51] and secure them with hexagonal bolts [PBR8], lock nuts [PSD11] and plain washers [PSD12] on both ends, as shown - finger tighten.

B. Adjust and tight the whole structure with spanners and appropriate tools.

C. Attach the whole unit to the ground, by using dyna-bolts on each frame lug.

3



A. Turn the entire assembly upright and mark the location of the supporting legs, **according to the illustration above.**

B. Prepare the legs foundation as necessary.

C. We recommend embedding the back rest shelter legs into the concrete foundation 900 mm., to guarantee a proper seating height.

P2