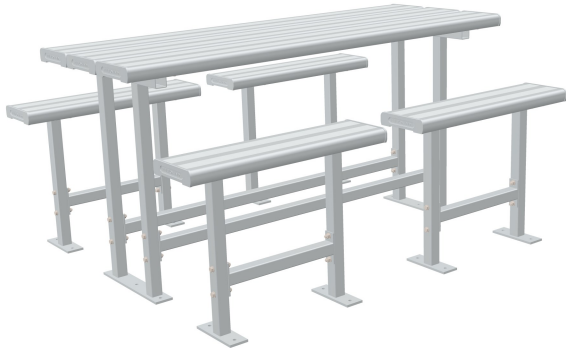


WARNING: READ THE ASSEMBLY INSTRUCTIONS CAREFULLY BEFORE ASSEMBLING THE AUSSIE SNACK BAR SETTING.

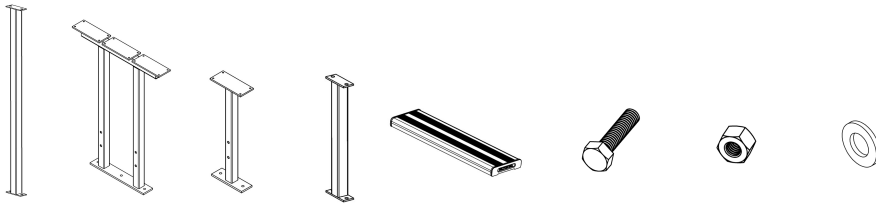


Make sure to wear protective gloves and foot protection when installing and assembling this product. Unpack the unit and make sure all the components are included before proceeding. This activity requires two or more people as lifting is involved. Please ensure bolts are only finger tightened during the assembling process for flexibility in lining up components. Securely tighten the bolts before anchoring the Broad Sheltered Park Setting to the ground.



**AUSSIE SNACK BAR
(CODE No. FELASBS)**

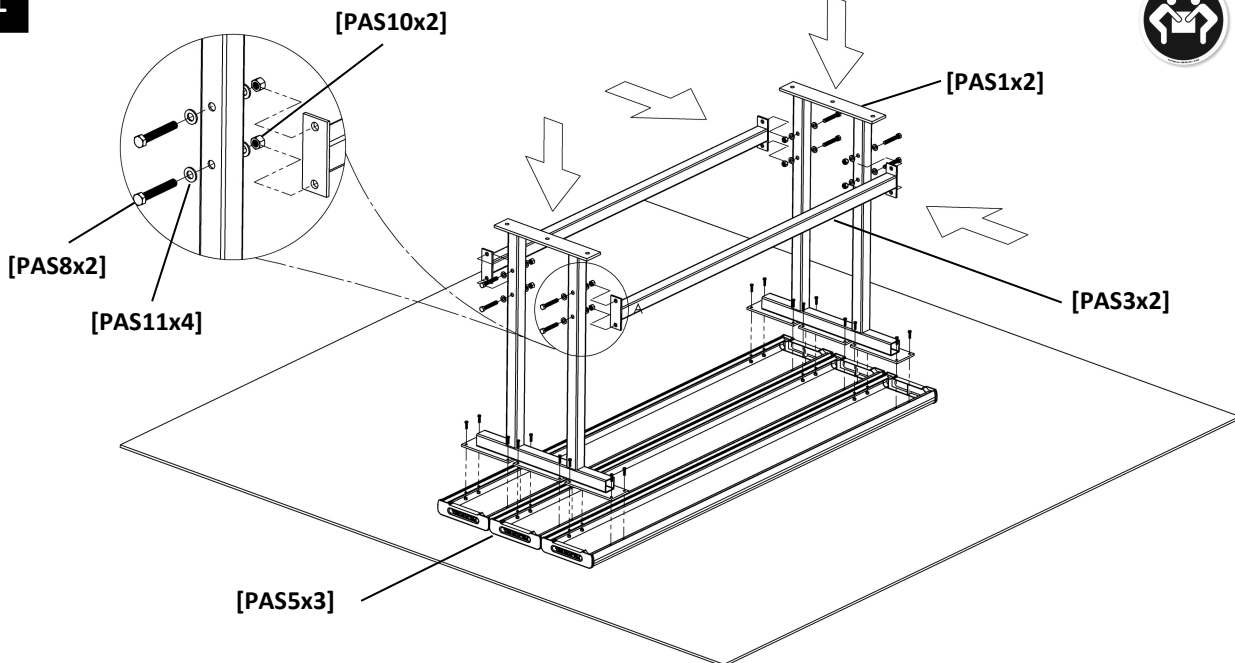
ITEM	DESCRIPTION	QTY
PAS1	TABLE FRAME	2
PAS2	SEATING FRAME	8
PAS3	TABLE CROSS BAR	2
PAS4	SEATING CROSS BAR	4
PAS5	2000 mm—SEATING PLANK	3
PAS6	900 mm.—SEATING PLANK	4
PAS7	M6X25 mm. HEXAGONAL HEAD BOLT	56
PAS8	M12x80 mm. HEXAGONAL HEAD BOLT	24
PAS9	M6 LOCKNUT	56
PAS10	M12 LOCKNUT	24
PAS11	M12 PLAIN WASHER	48



[PAS3] [PAS1] [PAS2] [PAS4] [PBS5/6] [PAS7/8] [PAS9/10] [PAS11]

Thank you for purchasing our high quality products. The Aussie Snack Bar Setting has been manufactured with certified materials to achieve high reliability and minimum maintenance. It is our commitment to provide cost-effective solutions for outdoor applications.

1

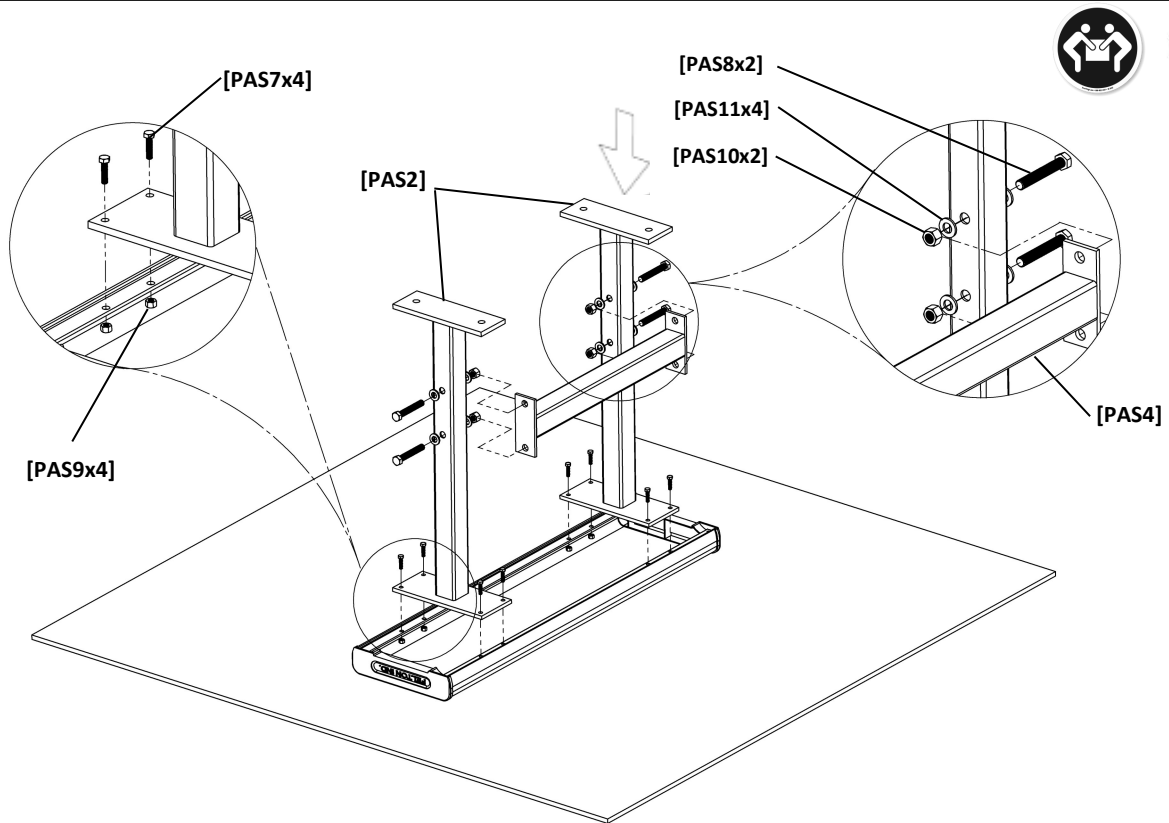


- A. Lay the 3 table planks [PAS5] upside down on an even surface. Bolt the 2 table frames [PAS1] on to the table planks, by using hexagonal head bolts [PAS7] and locknuts [PAS9] - finger tighten.
- B. Install the table cross bars [PAS3] in between the table frames legs [PAS1] as shown, and secure them with hexagonal head bolts [PAS8], locknuts [PAS10] and plain washers [PAS11] - finger tighten.

(IT CONTINUES ON THE BACK OF THIS SHEET)

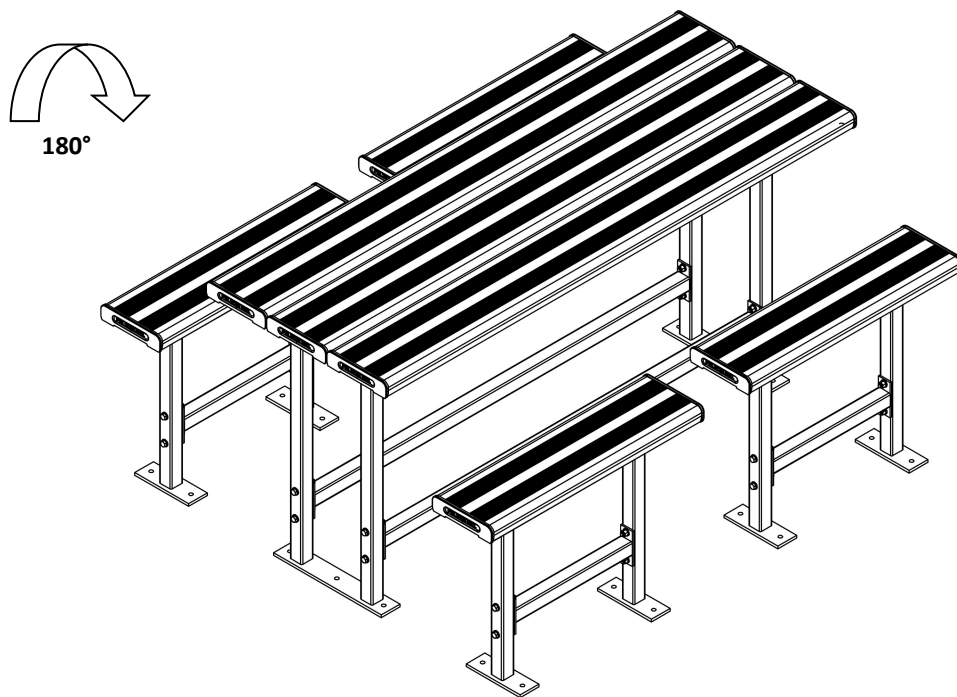
P1

2



- A. Lay a seating plank **[PAS6]** up side down on an even surface and bolt it to the two seating frames **[PAS2]**, by using hexagonal head bolts **[PAS7]** and locknuts **[PAS9]** – finger tighten.
- B. Install the seating cross bar **[PAS4]**, in between the seating frames legs and secure them with hexagonal head bolts **[PAS8]**, locknuts **[PAS10]** and plain washers **[PAS11]** - Finger tighten.
- C. Repeat the same assembling process until completing the 4-seat kit, which are included in the Aussie Snack Setting package.

3



- A. Turn the assembled components 180°.
- B. Adjust and tight the bolts with spanners and appropriate tools.
- C. Install the Aussie Snack Bar Setting to the ground, by using dyna-bolts.

P2