

**WARNING: READ THE ASSEMBLY INSTRUCTIONS CAREFULLY BEFORE ASSEMBLING THE DELUXE BROAD SHELTERED PARK SETTING.**

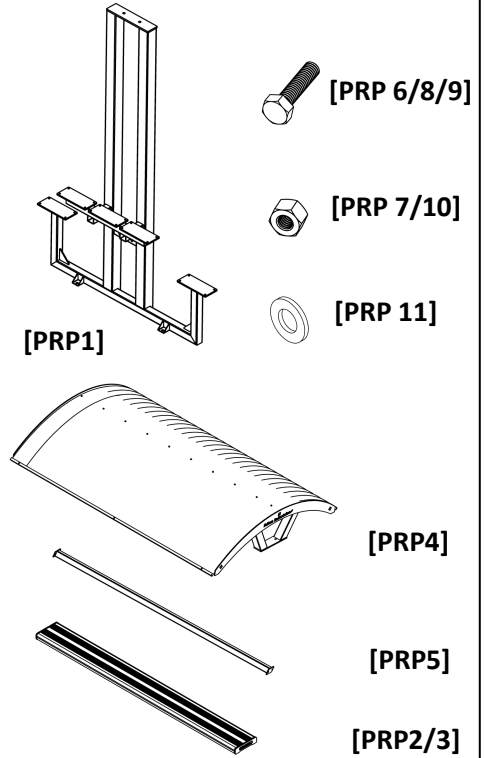


Make sure to wear protective gloves and foot protection when installing and assembling this product. Unpack the unit and make sure all the components are included before proceeding. This activity requires two or more people as lifting is involved. Please ensure bolts are only finger tightened during the assembling process for flexibility in lining up components. Securely tighten the bolts before anchoring the Broad Sheltered Park Setting to the ground.



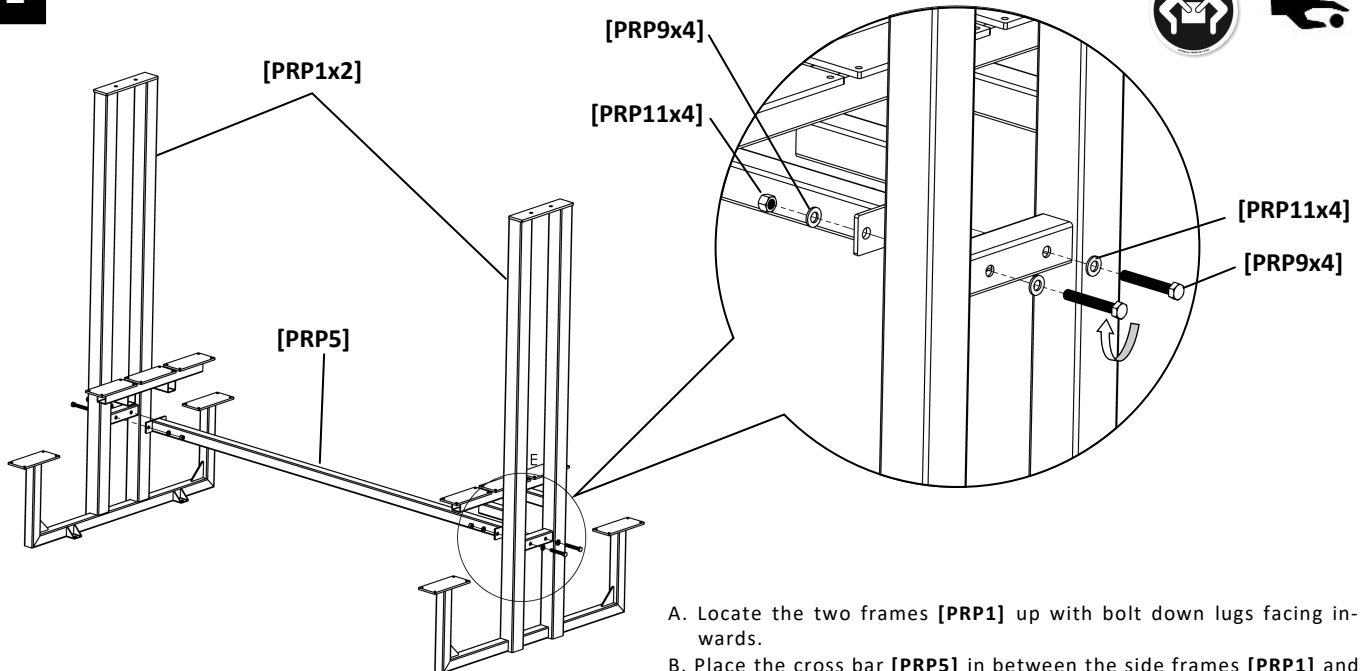
**DELUXE BROAD SHELTERED PARK SETTING**  
**(CODE No. FELBRPT)**

ITEM	DESCRIPTION	QTY
PRP1	SIDE FRAME	2
PRP2	TABLE PLANK-2335 mm.	3
PRP3	SEAT PLANK -2000 mm.	2
PRP4	ROOF ASSEMBLY	1
PRP5	CROSS BAR	1
PRP6	M6 x 25mm. HEX BOLT	40
PRP7	M6 LOCK NUT	40
PRP8	M12 x 45 mm. HEX. BOLT	4
PRP9	M12 x 80 mm. HEX.BOLT	4
PRP10	M12 LOCKNUT	8
PRP11	M12 PLAIN WASHER	16



Thank you for purchasing our high quality products. The Deluxe Broad Sheltered Park Setting has been manufactured with certified materials to achieve high reliability and minimum maintenance. It is our commitment to provide cost - effective solutions for outdoor applications.

**1**

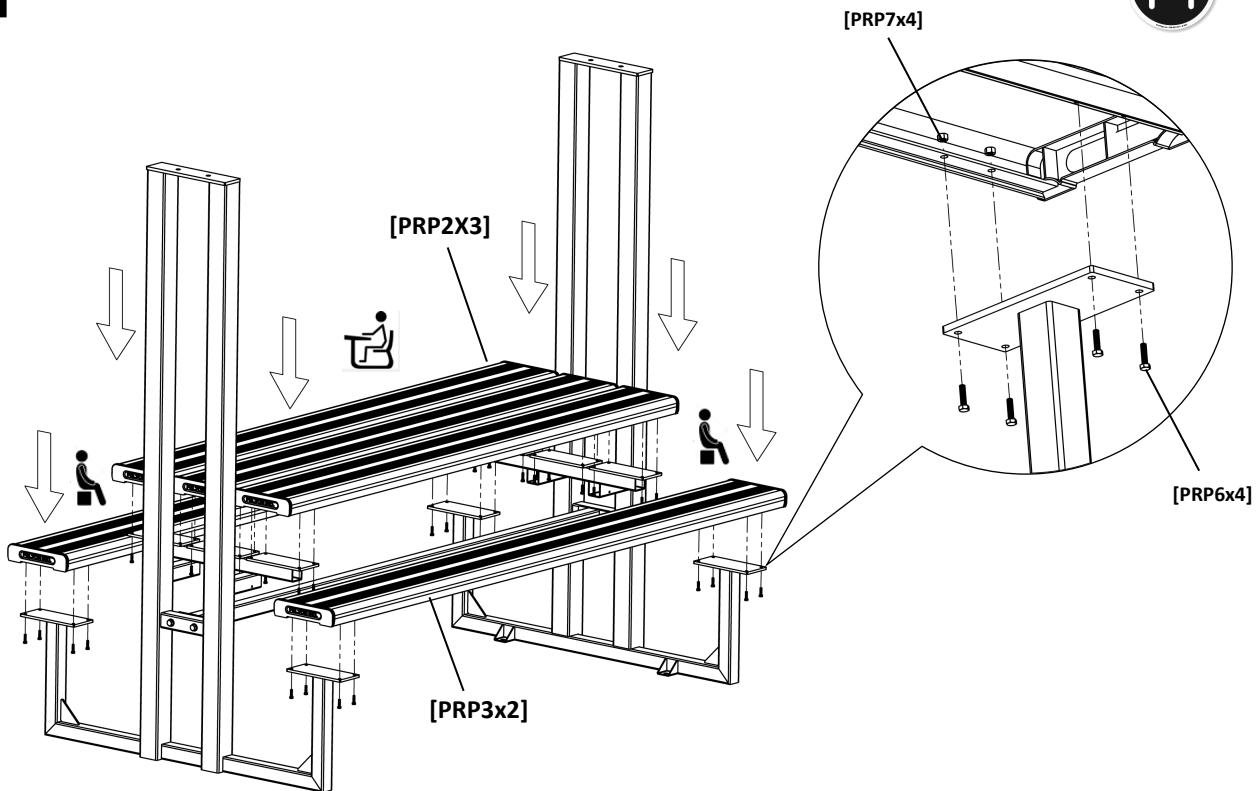


- A. Locate the two frames [PRP1] up with bolt down lugs facing inwards.
- B. Place the cross bar [PRP5] in between the side frames [PRP1] and secure it with the hex head bolts [PRP9], lock nuts [PRP10] and plain washers [PRP11] as shown - finger tighten.

(IT CONTINUES ON THE BACK OF THIS SHEET)

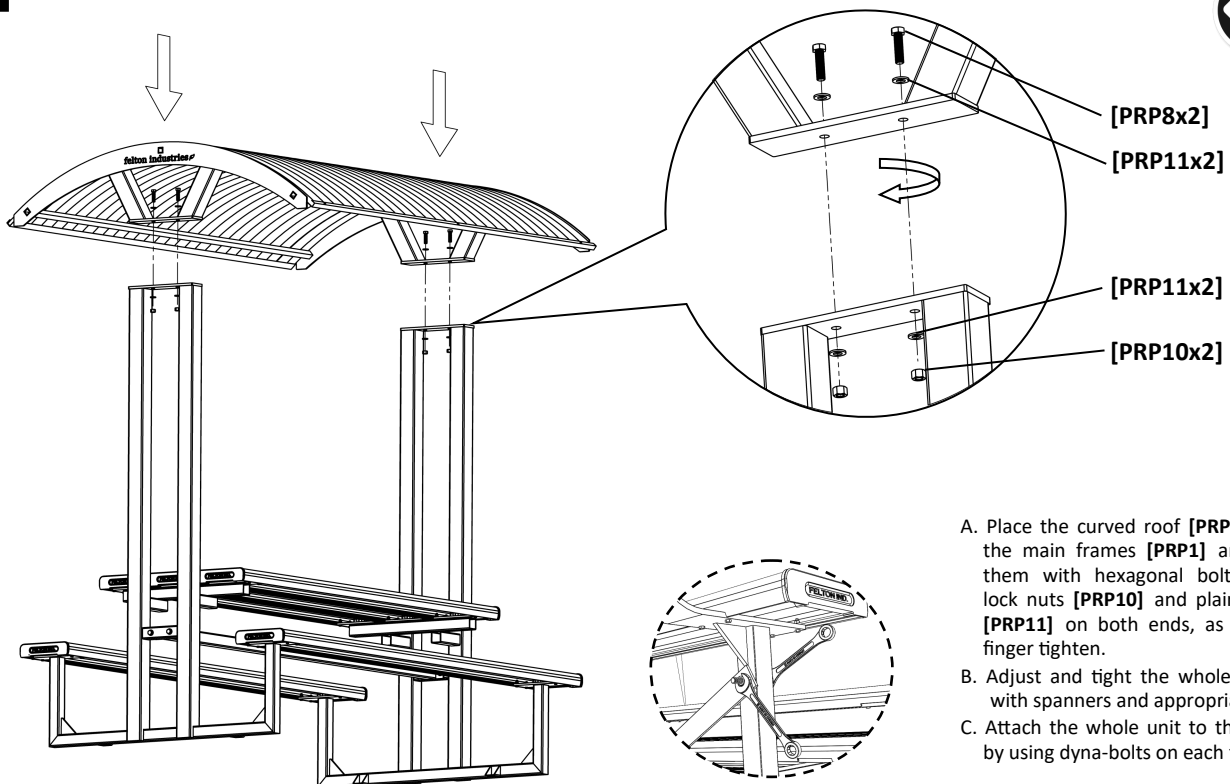
**P1**

2



- A. Place the table planks [PRP2] on to the fixing plates of each side frame [PRP1] and secure them, by using hex. head bolts [PRP6] and lock nuts [PRP7] - Finger tighten.
- B. Place the seat planks [PRP3] on to the fixing plates of side frame [PRP1], and secure them, by using hex bolts [PRP6] and lock nuts [PRP7] - finger tighten.

3



- A. Place the curved roof [PRP4] on top the main frames [PRP1] and secure them with hexagonal bolts [PRP8], lock nuts [PRP10] and plain washers [PRP11] on both ends, as shown - finger tighten.
- B. Adjust and tight the whole structure with spanners and appropriate tools.
- C. Attach the whole unit to the ground, by using dyna-bolts on each frame lug.