

**WARNING: READ THE ASSEMBLING INSTRUCTIONS CAREFULLY BEFORE ASSEMBLING THE DOUBLE SIDED COMBO.**

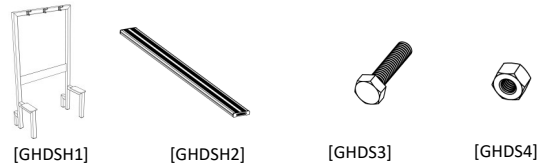


Make sure to wear protective gloves and foot protection when installing and assembling this product. Unpack the unit and make sure all the components are included before proceeding. This activity requires two or more people as lifting is involved. Please ensure bolts are only finger-tightened during the assembling process for flexibility in lining up components. Securely tighten the bolts before anchoring the product to the ground.



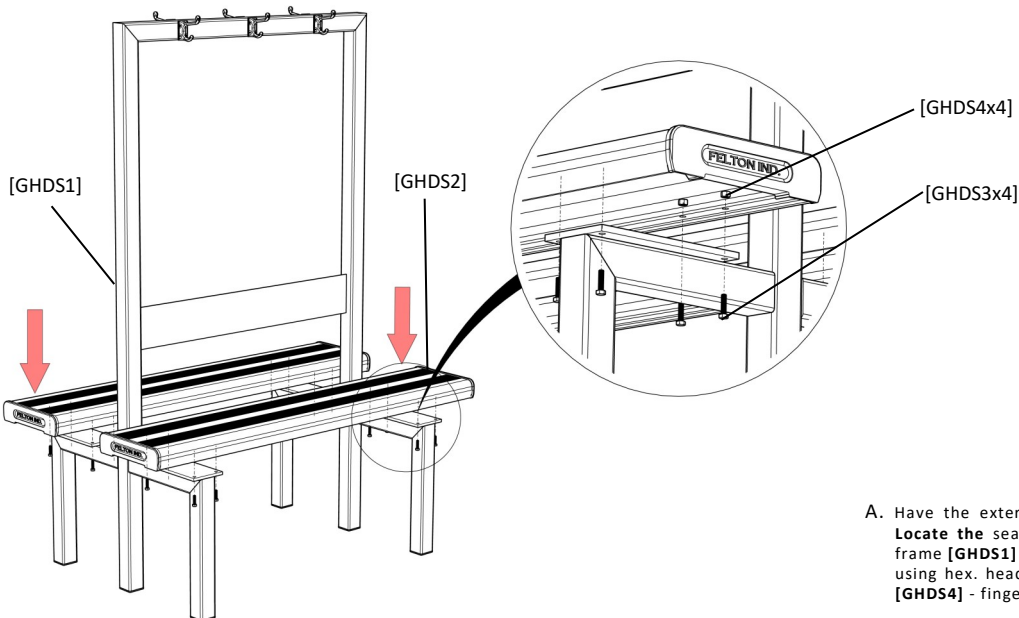
**DOUBLE SIDED COMBO**  
*(Code No: GHDS18)*

PART No.	PART NAME	QTY
GHDS1	ALUMINIUM FRAME	1
GHDS2	1200- mm. ALUMINIUM SEATING PLANK	2
GHDS3	M6 X25 mm. HEXAGONAL HEAD BOLT	16
GHDS4	M6 LOCKNUT	16



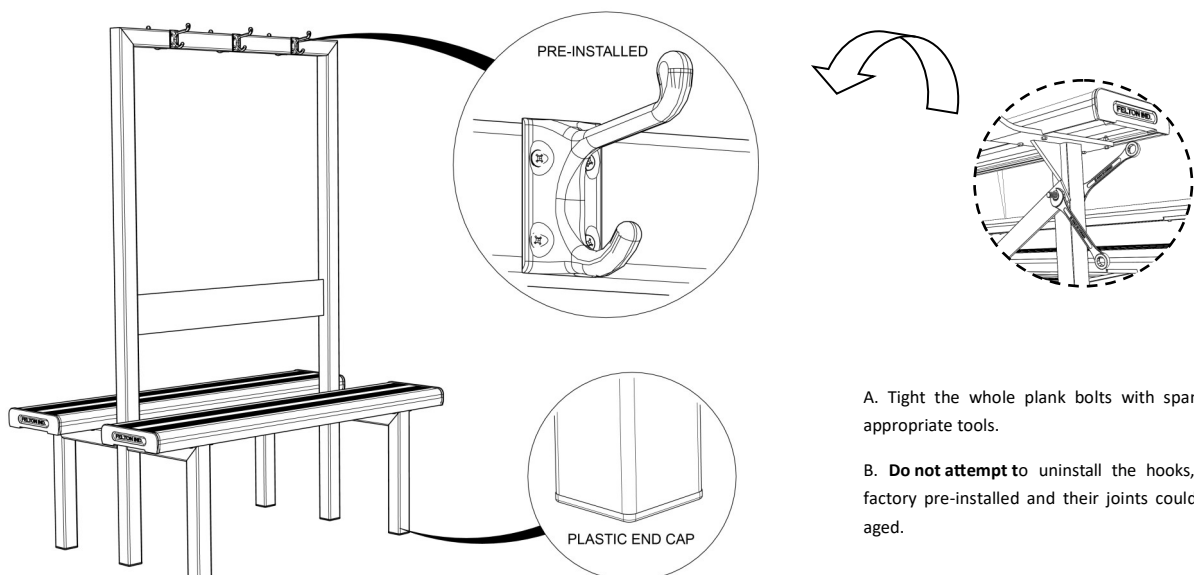
Thank you for purchasing our high quality products. The Double Sided Combo has been well manufactured with certified materials, to achieve high reliability and minimum maintenance. It is our commitment to provide you cost-effective solutions for outdoor applications.

**1**



**A.** Have the external frame [GHDS1] in place. Locate the seating planks [GHDS2] onto top frame [GHDS1] as shown and secure them, by using hex. head bolts [GHDS3] and locknuts [GHDS4] - finger tighten .

**2**



**A.** Tight the whole plank bolts with spanners and appropriate tools.

**B.** Do not attempt to uninstall the hooks, they are factory pre-installed and their joints could be damaged.