

WARNING: READ THE ASSEMBLING INSTRUCTIONS CAREFULLY BEFORE ASSEMBLING THE ECO-TREND SHELTERED PARK SETTING.

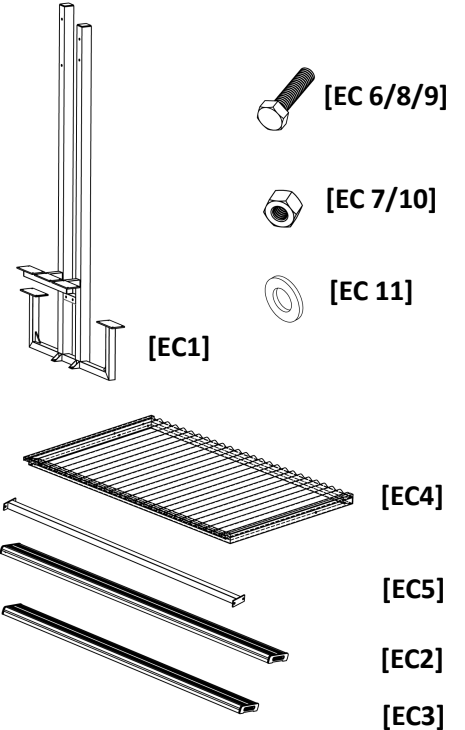


Make sure to wear protective gloves and foot protection when installing and assembling this product. Unpack the unit and make sure all the components are included before proceeding. This activity requires two or more people as lifting is involved. Please ensure bolts are only finger-tightened during the assembling process for flexibility in lining up components. Securely tighten the bolts before anchoring the product to the ground.



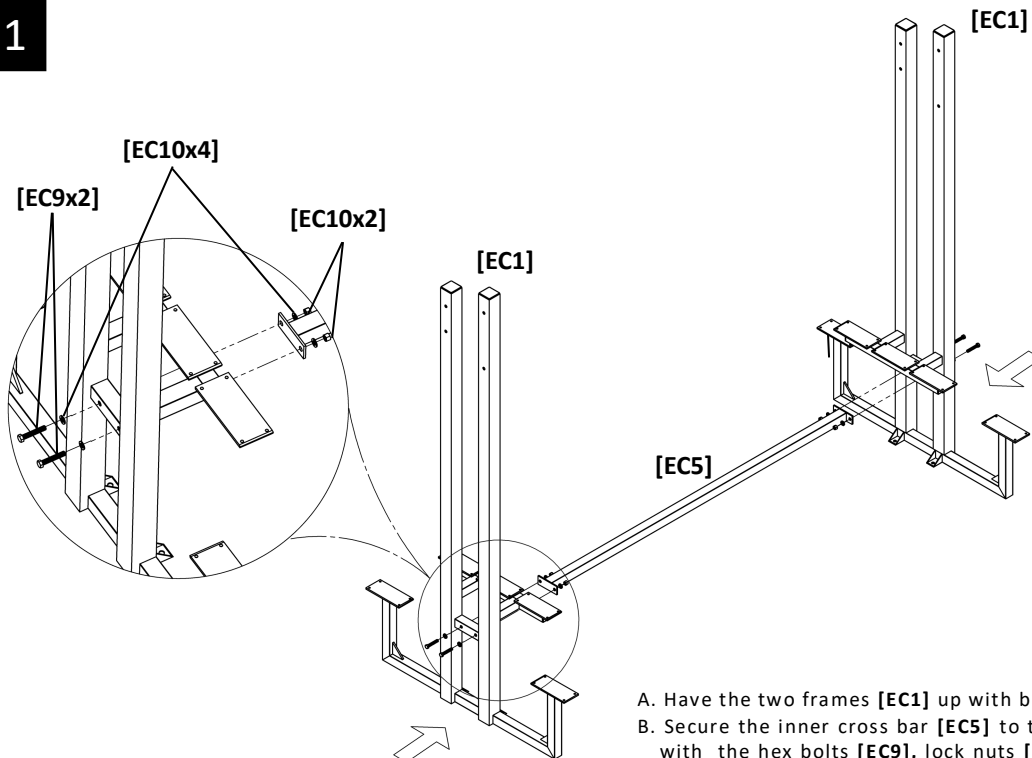
ECO TREND SHELTERED PARK SETTING
(CODE No. FELETSP)

ITEM	DESCRIPTION	QTY
EC1	SIDE FRAME	2
EC2	SEAT PLANK-2315 mm.	2
EC3	TABLE PLANK –2020 mm.	3
EC4	ROOF ASSEMBLY	2
EC5	INNER BRACE	1
EC6	M6x25mm HEX BOLT	40
EC7	M6 LOCK NUT	40
EC8	M12 x 150mm. HEX. BOLT	8
EC9	M12 x 75mm. HEX. BOLT	4
EC10	M12 LOCKNUT	12
EC11	M12 PLAIN WASHER	24



Thank you for purchasing our high quality products. The Eco-Trend Sheltered Park Setting has been well manufactured with certified materials to achieve high reliability and minimum maintenance. It is our commitment to provide cost-effective solutions for outdoor applications.

1



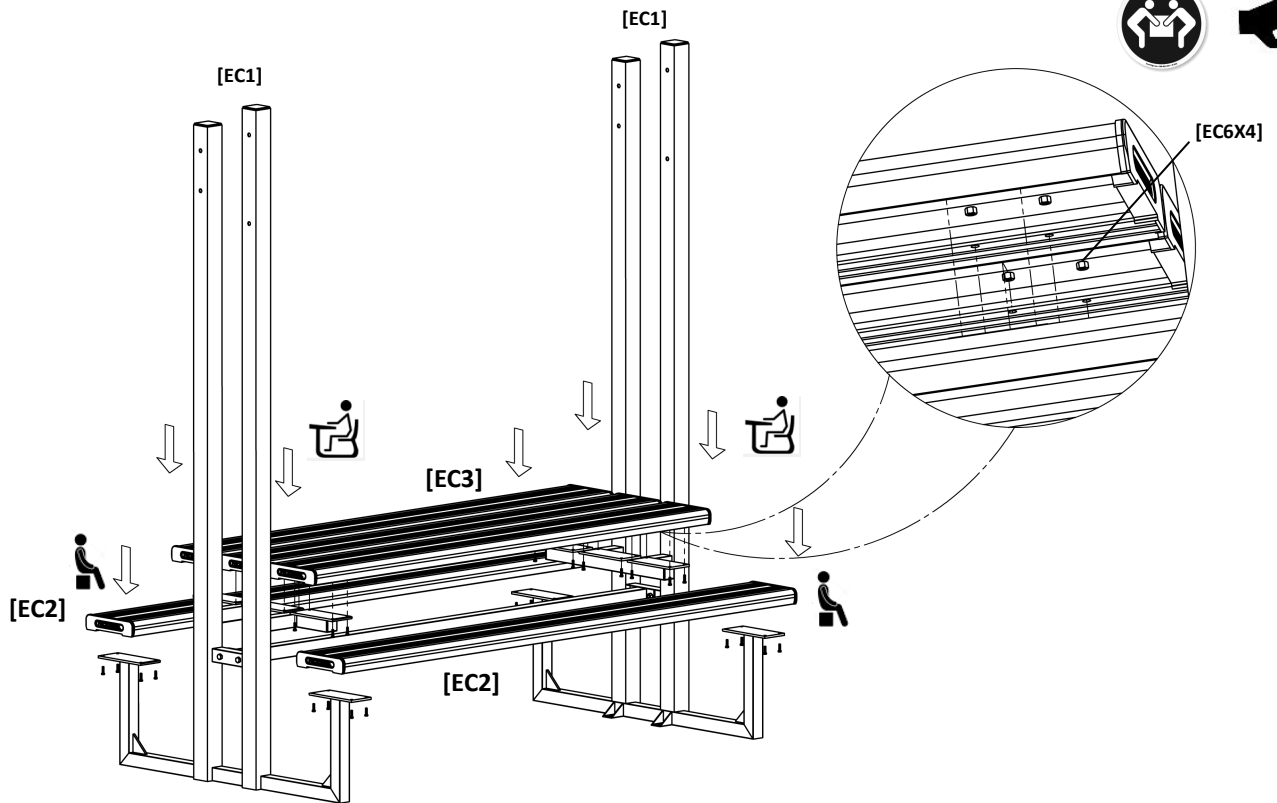
- A. Have the two frames [EC1] up with bolt down lugs facing inwards.
B. Secure the inner cross bar [EC5] to the side frames [EC1] as shown, with the hex bolts [EC9], lock nuts [EC10] and plain washers [EC11]-finger tighten.



(IT CONTINUES ON THE BACK OF THIS SHEET)

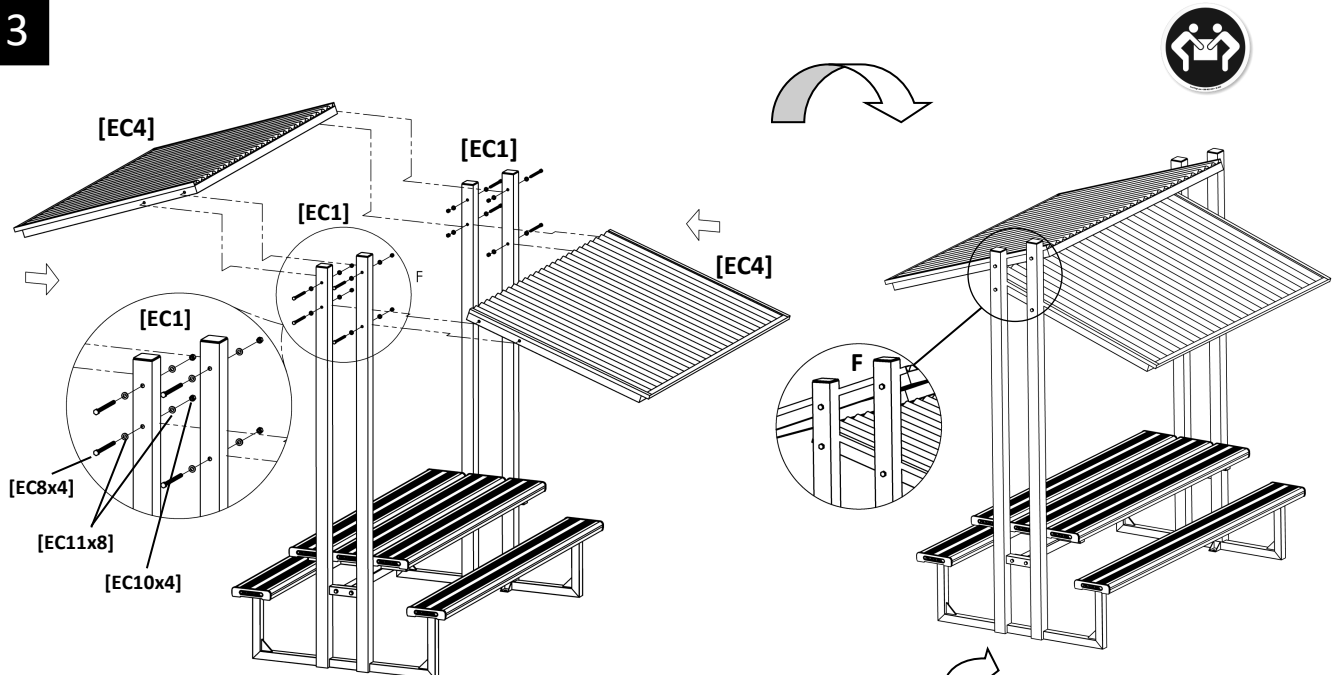
P1

2



- A. Place three table planks [EC3] in place and secure them to the side frame bench base plates with hex bolts [EC6] and lock nuts [EC7] - Finger tighten.
- B. Have the two seat planks [EC2] in place and secure them to the main frames [EC1], by using hex bolts [EC6] and lock nuts [EC7] - finger tighten.

3



- A. Slide two roof pieces [EC4] in the main frames [EC1] and secure them with hexagonal bolts [EC8], lock nuts [EC10] and plain washers [EC11] on both ends, as shown in detail F - finger tighten.
- B. Tight the whole structure with spanners and appropriate tools.
- C. Attach the whole unit to the ground, by using dyna-bolts on each frame lug.