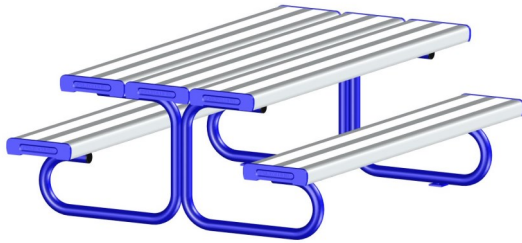


**WARNING: READ THE ASSEMBLY INSTRUCTIONS CAREFULLY BEFORE ASSEMBLING THE EZYSEAT LUNCH SETTING JUNIOR SIZE.**

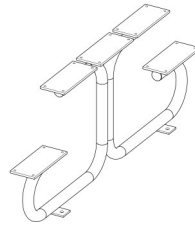


Make sure to wear protective gloves and foot protection when installing and assembling this product. Unpack the unit and make sure all the components are included before proceeding. This activity requires two or more people as lifting is involved. Please ensure bolts are only finger-tightened during the assembling process for flexibility in lining up components. Securely tighten the bolts before anchoring the product to the ground.



**ASSEMBLY INSTRUCTIONS**  
**EZYSEAT LUNCH SETTING JUNIOR SIZE**  
**(Code No. EZYJPS8)**

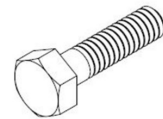
ITEM	DESCRIPTION	QTY
EJ1	MAIN FRAME/LEG	2
EJ2	1500 mm. SEATING/TABLE PLANK	2
EJ3	M6x25mm. HEX. HEAD BOLT	40
EJ4	M6 LOCKNUT	40



EJ1



EJ2



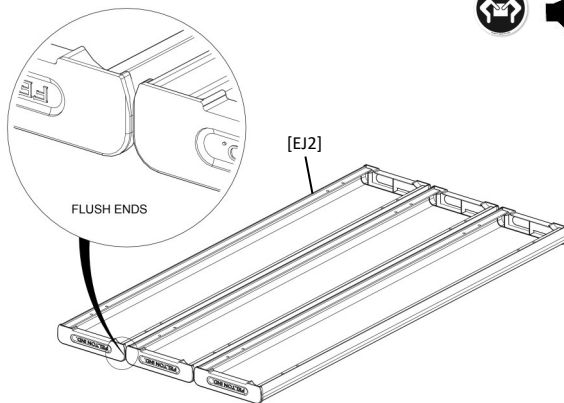
EJ3



EJ4

Thank you for purchasing our high quality products. *The EzySeat Lunch Setting Junior Size has been manufactured with certified materials, to achieve high reliability and minimum maintenance. It is our commitment to provide cost effective solutions for outdoor applications.*

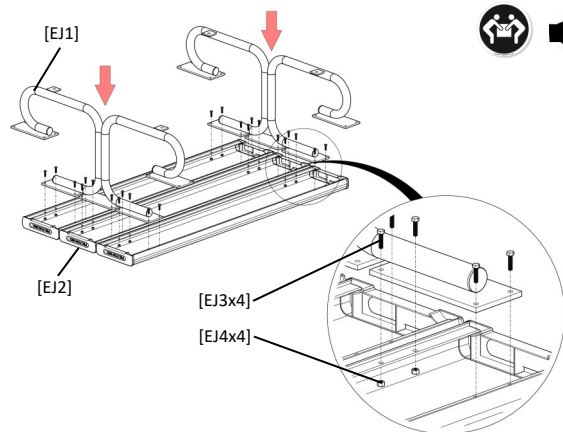
**1**



Lay the 3 Table planks (EJ2) upside down on a flat surface and flush ends.



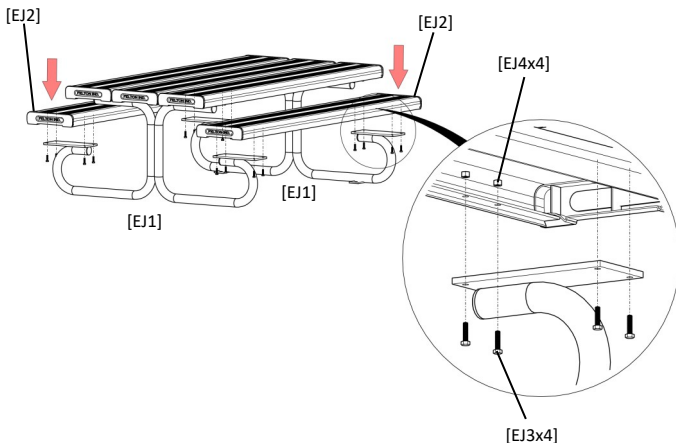
**2**



Have the main frames (EJ1) in place, tags facing inward and connect them to the table planks (EJ2), by using hex. head bolts (EJ3) and locknuts (EJ4).



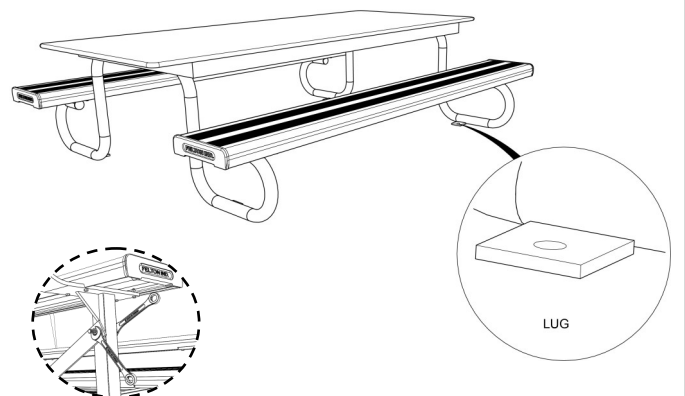
**3**



Turn the entire assembly up and connect the two seating planks (EJ3) to the main legs (EJ1) as shown, by using with hexagonal head bolts (EJ3) and locknuts (EJ4).



**4**



Tighten all bolting accessories with spanners and appropriate tools.  
Attach the whole unit to the ground, by using dyna-bolts on each frame leg.

