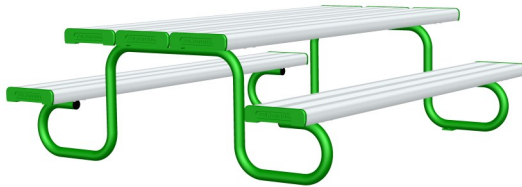


WARNING: READ THE ASSEMBLY INSTRUCTIONS CAREFULLY BEFORE ASSEMBLING THE EZYSEAT LUNCH SETTING PRIMARY SIZE.

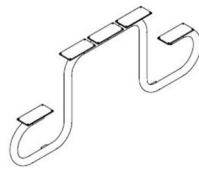


Make sure to wear protective gloves and foot protection when installing and assembling this product. Unpack the unit and make sure all the components are included before proceeding. This activity requires two or more people as lifting is involved. Please ensure bolts are only finger-tightened during the assembling process for flexibility in lining up components. Securely tighten the bolts before anchoring the product to the ground.



ASSEMBLY INSTRUCTIONS
EZYSEAT LUNCH SETTING PRIMARY SIZE
(Code No. EZYKPS8 Primary)

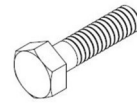
ITEM	DESCRIPTION	QTY
KPP1	MAIN FRAME	2
KPP2	SEAT / TABLE PLANK	5
KPP3	M6 x 25mm. HEX. HEAD BOLT	40
KPP4	M6 LOCKNUT	40



KPP1



PS2



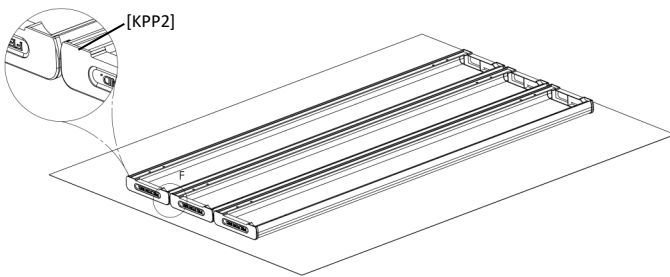
PS3



PS4

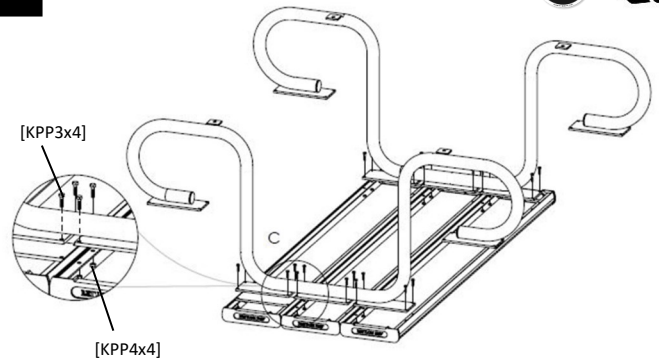
Thank you for purchasing our high quality products. The Park Setting has been manufactured with certified materials, to achieve high reliability and minimum maintenance. It is our commitment to provide cost effective solutions for outdoor applications.

1



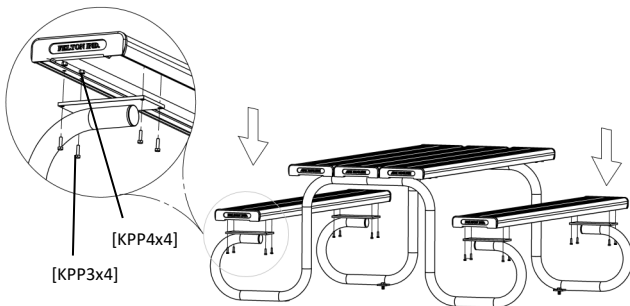
Lay 3 Aluminium planks (KPP2) upside down on a flat surface and both ends flush.

2



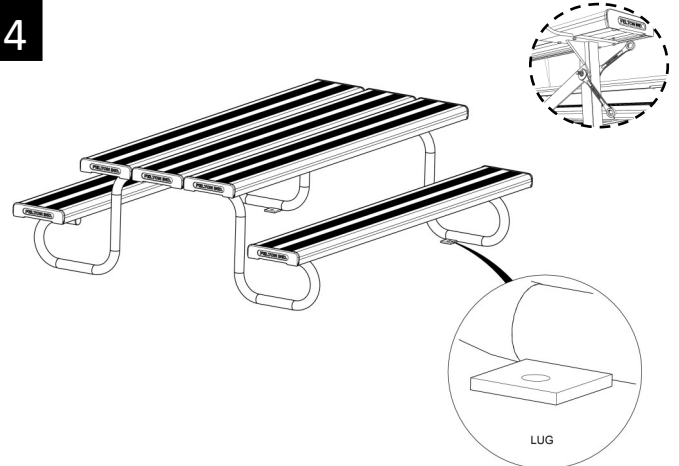
Bolt the main frames (KPP1) to the planks (KPP2), frame tags facing inward and upside bolts as illustrated.

3



Turn the entire assembly up and install two seating planks (KPP2) on to frame fixing plates as shown. Attach the seat planks (KPP2) with hexagonal head bolts (KPP3) and nuts (KPP4).

4



Tighten all hex. head bolts with spanners and appropriate tools.

Attach the whole unit to the ground, by using dyna-bolts preferably, on each frame lug.