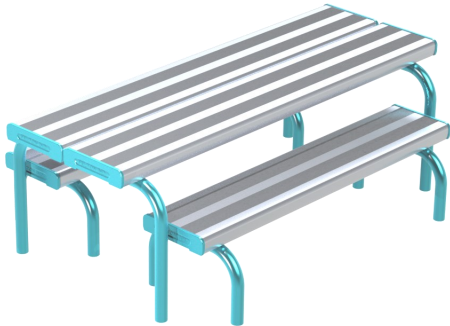


**WARNING: READ THE ASSEMBLY INSTRUCTIONS CAREFULLY BEFORE ASSEMBLING THE EZYSEAT SNACK BAR SETTING PRIMARY SIZE.**



Make sure to wear protective gloves and foot protection when installing and assembling this product. Unpack the unit and make sure all the components are included before proceeding. This activity requires two or more people as lifting is involved. Please ensure bolts are only finger-tightened during the assembling process for flexibility in lining up components. Securely tighten the bolts before anchoring the product to the ground.



**ASSEMBLY INSTRUCTIONS**  
**EZYSEAT SNACK BAR SETTING PRIMARY SIZE**  
(Code No. EZYSBS300P)

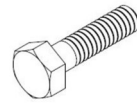
ITEM	DESCRIPTION	QTY
SBS1	TABLE FRAME/LEG	2
SBS2	SEAT FRAME/LEG	4
SBS3	1500mm. TABLE PLANK	2
SBS4	1200mm. SEAT PLANK	2
SBS5	M6 x25mm. HEX. HEAD BOLT	32
SBS6	M6 LOCKNUT	32



SBS1/2



SBS3/4



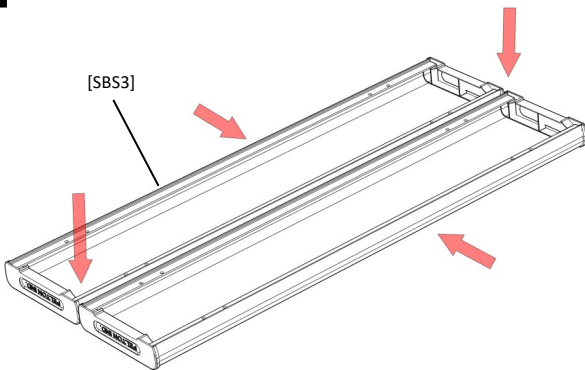
SBS5



SBS6

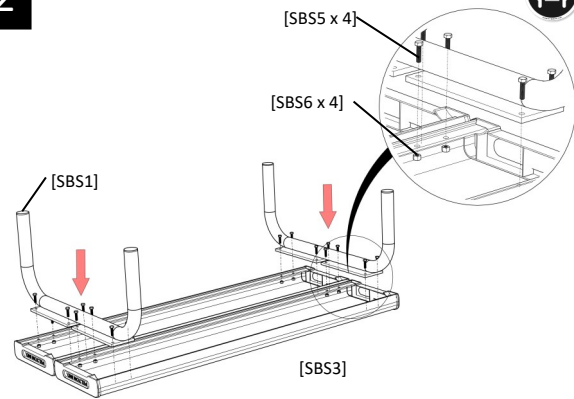
Thank you for purchasing our high quality products. *The Ezyseat Snack Bar Setting Primary Size has been well manufactured with certified materials, to achieve high reliability and minimum maintenance. It is our commitment to provide cost-effective solutions for outdoor applications.*

**1**



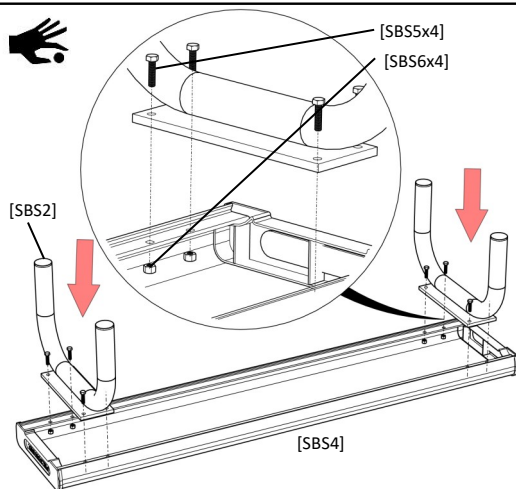
Lay 2 table planks [SBS3] upside down on a flat surface, making sure they are level at both ends.

**2**



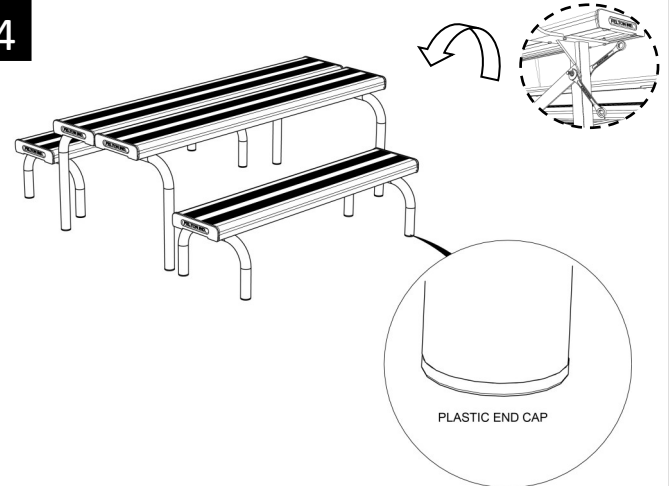
Bolt the two table frames/legs [SBS1] to the table planks [SBS3], by using hex. head bolts [SBS5] and locknuts [SBS6]- finger tighten.

**3**



Lay a seat plank [SBS4] upside down on a flat surface and attach to it the seat frame/leg [SBS2] as explained in the step 2. Repeat this same process until completing a two-seats set.

**4**



Tight the fasteners with spanners and appropriate tools.

It is recommended to use the EZYSBS300P for 5-8 years old infants, as well as to keep the product on firm level ground.