

**WARNING: READ THE ASSEMBLING INSTRUCTIONS CAREFULLY BEFORE ASSEMBLING THE ECO-TRENDED INTERACTIVE WHEELCHAIR SETTING.**

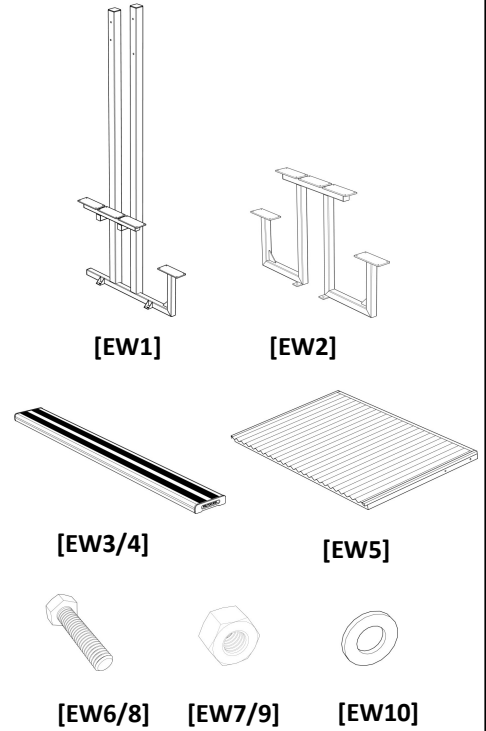


Make sure to wear protective gloves and foot protection when installing and assembling this product. Unpack the unit and make sure all the components are included before proceeding. This activity requires two or more people as lifting is involved. Please ensure bolts are only finger-tightened during the assembling process for flexibility in lining up components. Securely tighten the bolts before anchoring the product to the ground.



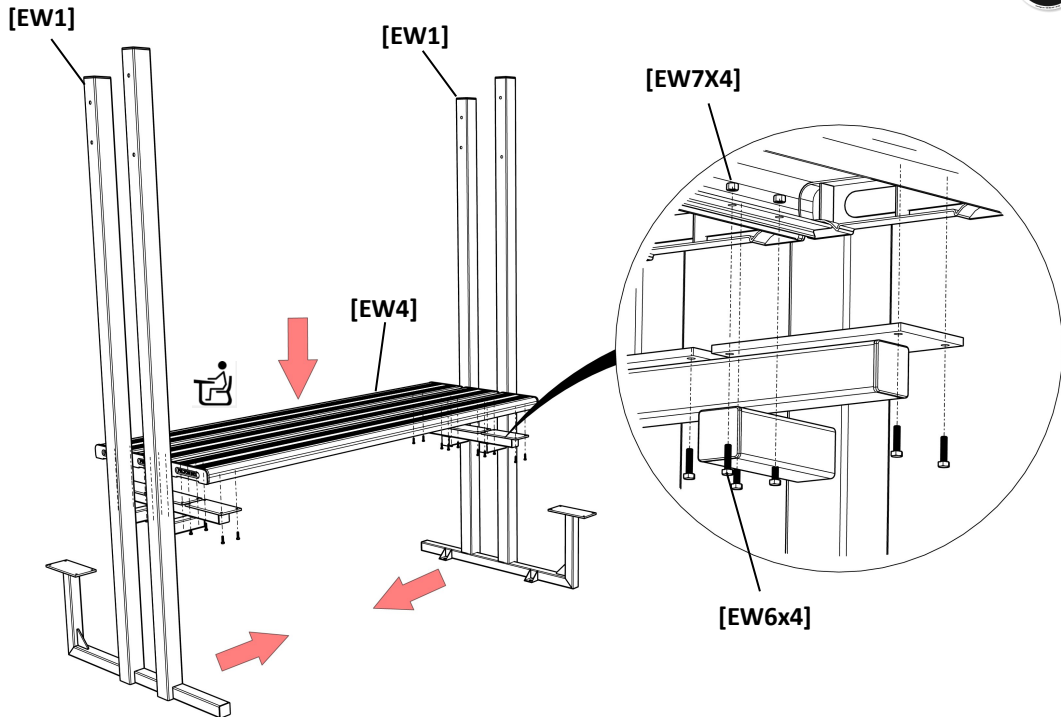
**ECO-TRENDED INTERACTIVE  
WHEELCHAIR SETTING  
(CODE No. FELISWS)**

ITEM	DESCRIPTION	QTY
EW1	SHELTER FRAME/POST	2
EW2	INNER FRAME/LEG	1
EW3	1440 mm.—SEAT PLANK.	2
EW4	2040mm.—TABLE PLANK.	3
EW5	ROOF ASSEMBLY	2
EW6	M6x25mm HEX HEAD BOLT	52
EW7	M6 LOCKNUT	52
EW8	M12x150mm HEX. BOLT	8
EW9	M12 LOCKNUT	8
EW10	M12 PLAIN WASHER	16



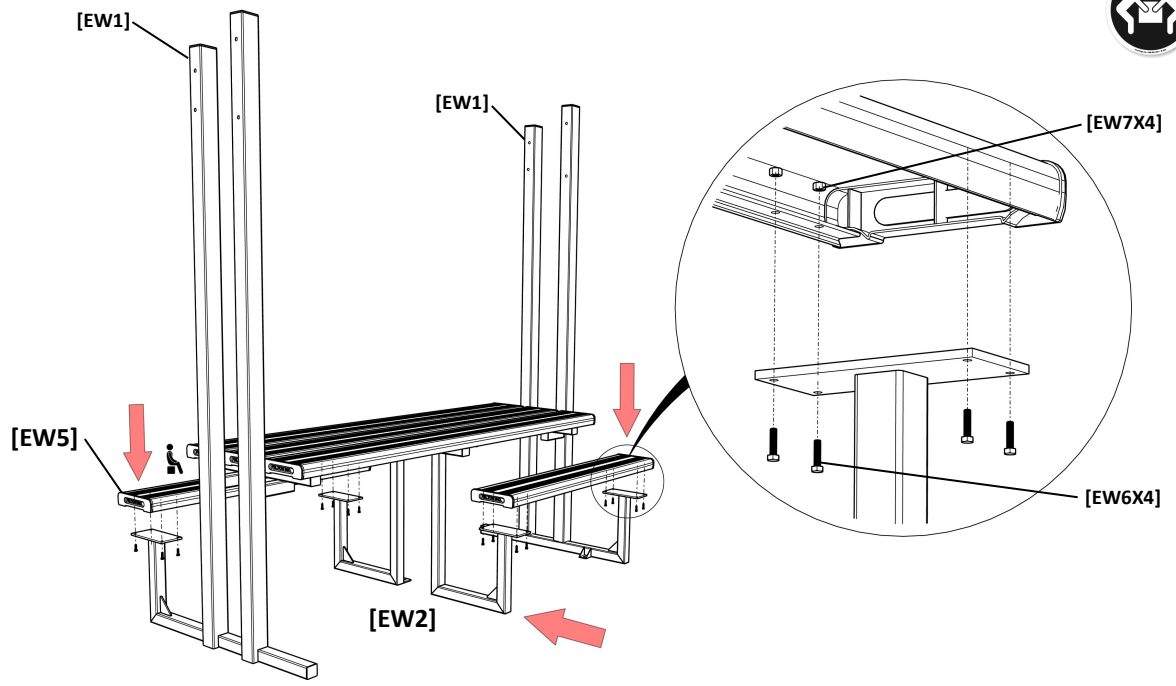
Thank you for purchasing our high quality products. The Eco-Trended Interactive Wheelchair Setting has been well manufactured with certified materials to achieve high reliability and minimum maintenance. It is our commitment to provide cost-effective solutions for outdoor applications.

**1**



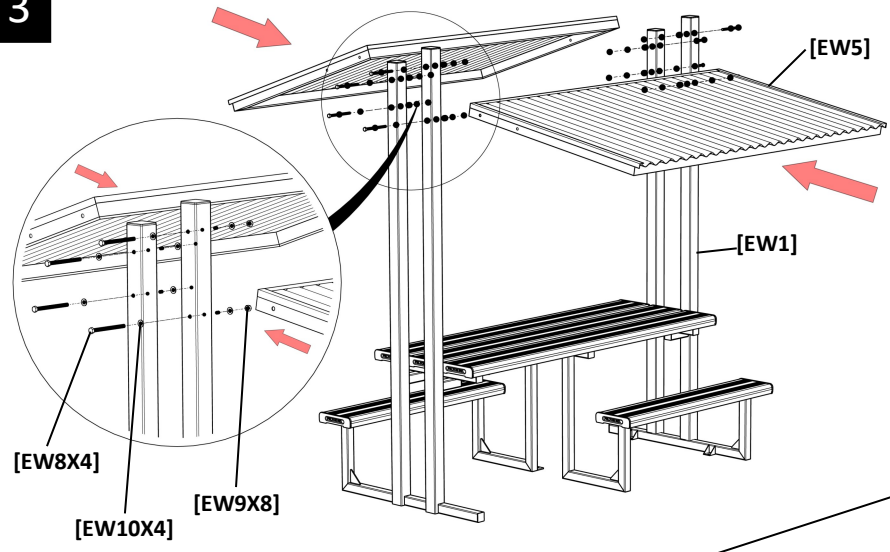
- A. Have the 2 shelter frames [EW1] up with bolt down lugs facing inwards.
- B. Secure the 3 Table planks [EW4] to the side frames [EW1] as shown, by using hex. head bolts [EW7] and locknuts [EW8] - finger tighten.

2

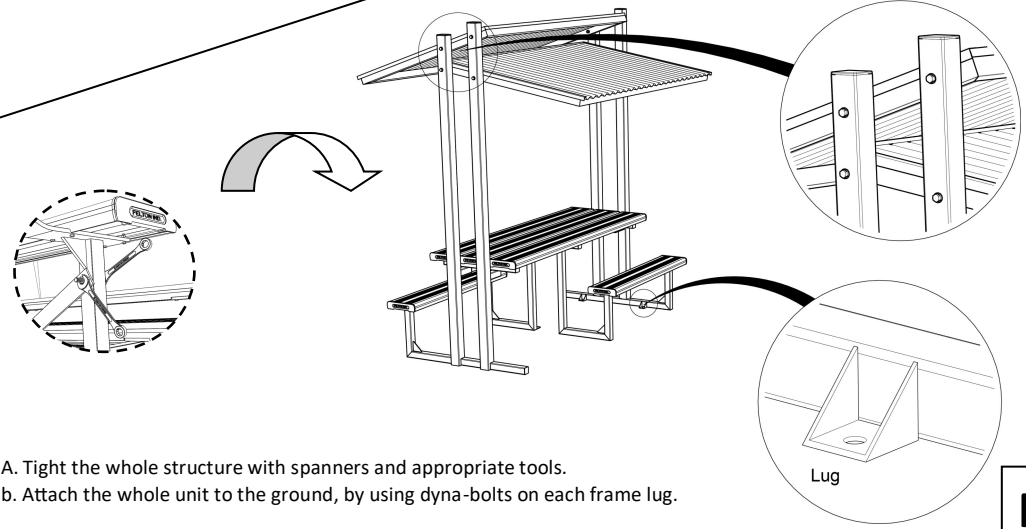


- A. Secure the inner frame [EW2], to the table planks, by using hex. head bolts [EW6] and locknuts [EW7]- Finger tighten.
- B. Install the two seating planks [EW5], onto both, shelter and inner frames/legs, by using hex. head bolts [EW6] and locknuts [EW7] - Finger tighten.

3



Install the 2 shelter roofing pieces [EW5] on the shelter legs upper ends [EW1] and secure them with hex. head bolts [EW8], locknuts [EW9] and washers [EW10] .



- A. Tight the whole structure with spanners and appropriate tools.
- b. Attach the whole unit to the ground, by using dyna-bolts on each frame leg.

4

P2