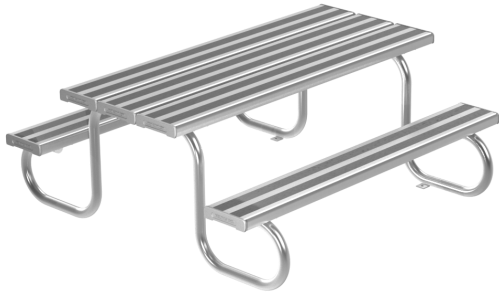


WARNING: READ THE ASSEMBLY INSTRUCTIONS CAREFULLY BEFORE ASSEMBLING THE PARK SETTING.

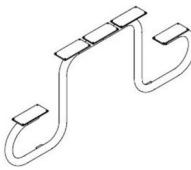



Make sure to wear protective gloves and foot protection when installing and assembling this product. Unpack the unit and make sure all the components are included before proceeding. This activity requires two or more people as lifting is involved. Please ensure bolts are only finger-tightened during the assembling process for flexibility in lining up components. Securely tighten the bolts before anchoring the product to the ground.

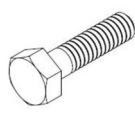



ASSEMBLY INSTRUCTIONS
PARK SETTING
(Code No. FELPS)

ITEM	DESCRIPTION	QTY
PS1	MAIN FRAME	2
PS2	SEAT / TABLE PLANK	5
PS3	M6 x 25mm. HEX. HEAD BOLT	40
PS4	M6 NUT	40


PS1

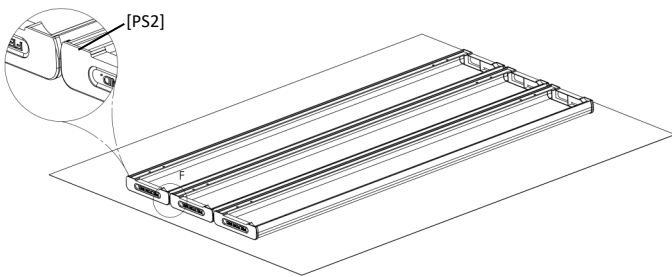

PS2


PS3


PS4

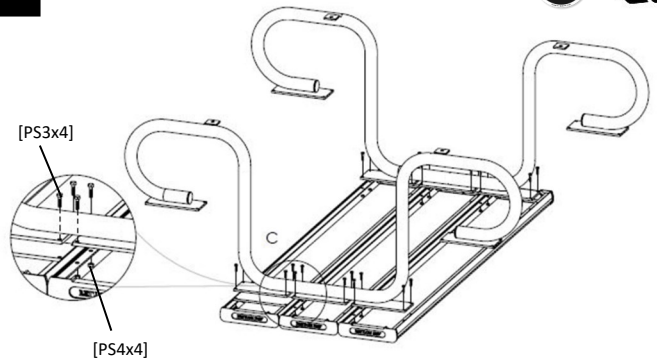
Thank you for purchasing our high quality products. The Park Setting has been manufactured with certified materials, to achieve high reliability and minimum maintenance. It is our commitment to provide cost effective solutions for outdoor applications.

1



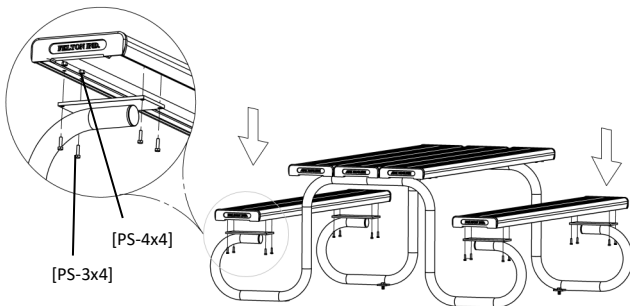
Lay 3 Aluminium planks (PS2) upside down on a flat surface, making sure they are level at both ends.

2



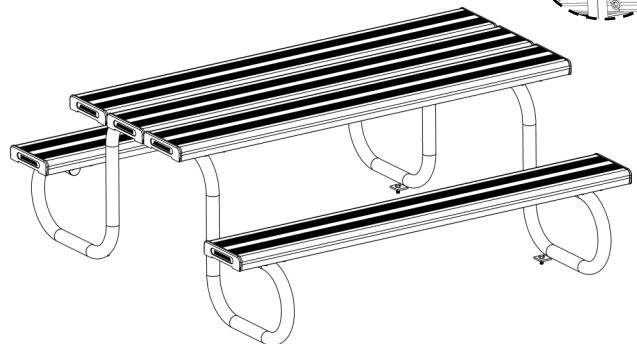
Bolt the two main frames (PS1) to the assembled planks (PS2), frame tags facing inward and upside bolts as per detail C.

3



Turn the entire assembly up and install two seat planks (PS2) on to frame fixing plates as illustrated. Attach the seat planks (PS2) with hexagonal bolts (PS3) and nuts (PS4).

4



Tighten all hexagonal head bolts with spanners and appropriate tools. Attach the whole unit to the ground, by using dyna-bolts preferably, on each frame lug.