

GRANDSTANDS

4M Select Grandstand

Code: SELG4T4

Take your spectating to a new level with the Select Grandstand. Choose the winner – stronger and safer than it's market competitors. Available in 4m and 6m lengths.



AUSTRALIAN
MADE & OWNED



UP TO 20% MORE
ALUMINIUM



7 YEAR
WARRANTY



BENCHMARK
ENGINEERING



PREMIUM
MATERIALS



Key Features

- Fits up to 40 fans in the stand for your next game
- Bolt it down or move it around
- Most popular grandstand 3 years running!
- Coloured Safety End Caps available in red, blue, green, purple, yellow and orange

Ideal for

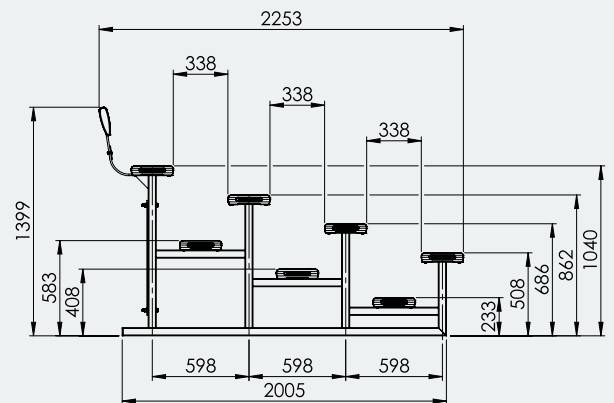
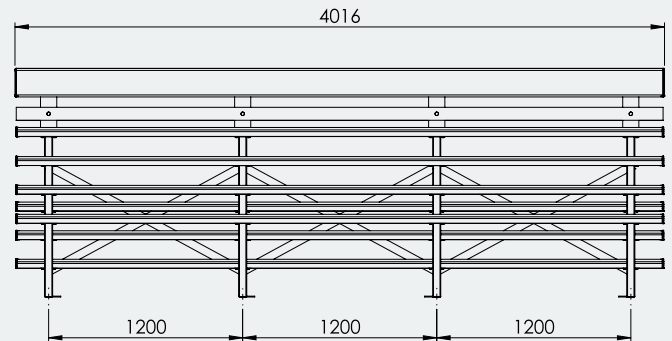
- Sports Clubs
- Schools & Universities
- Council Grounds
- Any Outdoor Venue



Specifications

4M Select Grandstand

Overall Plan: 4016mm W x 1399mm H (1040mm H 4th Tier) x 2253mm D



A Division of Felton International Group Pty Ltd
ABN 17 130 687 240

