

TABLES & CHAIRS

Access Wheelchair Setting

Code: FELAWS

Providing ease of access for all and invites users with its uncomplicated and minimalist design. Ideal for areas predominate in wheelchair users.



AUSTRALIAN
MADE & OWNED



UP TO 20% MORE
ALUMINIUM



7 YEAR
WARRANTY



BENCHMARK
ENGINEERING



PREMIUM
MATERIALS



Key Features

- Seats up to 6 people including 4 wheelchairs
- DDA Compliant
- Accessibility for everyone
- Coloured Safety End Caps available in red, blue, green, purple, yellow and orange

Ideal for

- Aged Care
- Parks
- Hospitals
- Commercial Areas

Specifications

Access Wheelchair Setting

Overall Plan: 2408mm L x 1740mm W x 838mm H

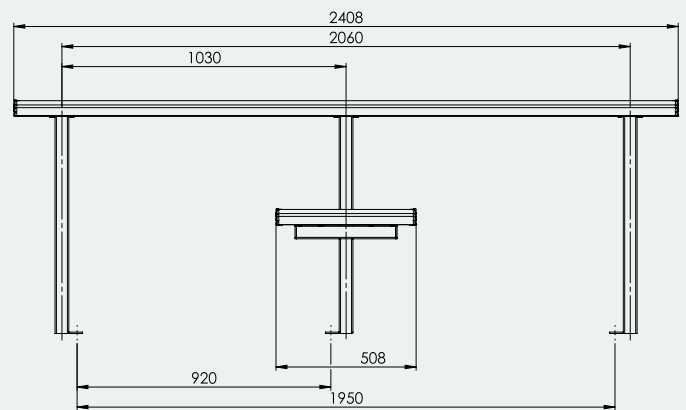
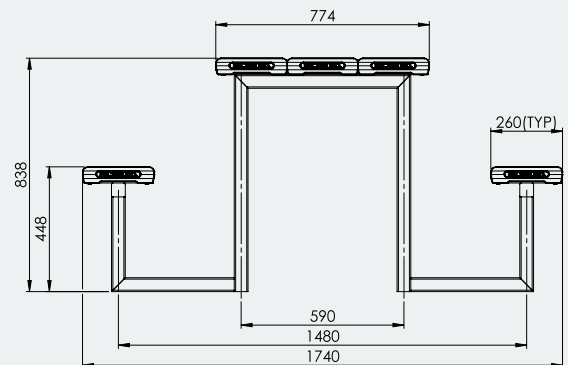


Table Top: 2408mm L x 774mm W x 838mm H

Seat Height: 448mm



A Division of Felton International Group Pty Ltd
ABN 17 130 687 240

