

## TABLES & CHAIRS

### Bolt Down Park Setting

Code: FELAGPS

The Bolt Down Park Setting is made from premium materials with a natural anodised finish for a long lasting and durable lifespan.



AUSTRALIAN  
MADE & OWNED



UP TO 20% MORE  
ALUMINIUM



7 YEAR  
WARRANTY



BENCHMARK  
ENGINEERING



PREMIUM  
MATERIALS

#### Key Features

- Seats up to 8
- Visually sleek and modern
- Designed to be bolted to concrete surface
- Distances can be adjusted to personal preference during installation
- Coloured Safety End Caps available in red, blue, green, purple, yellow and orange

#### Ideal for

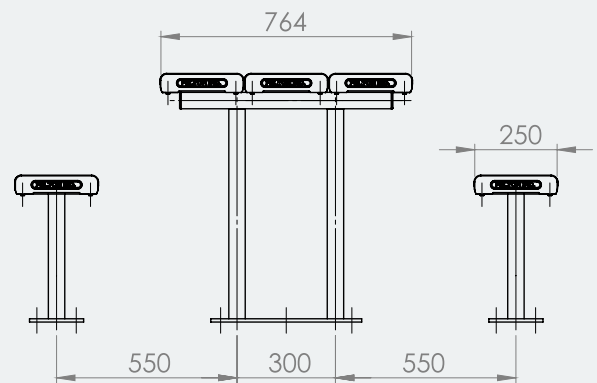
- Parks
- Schools
- Commercial Areas
- Playgrounds



#### Specifications

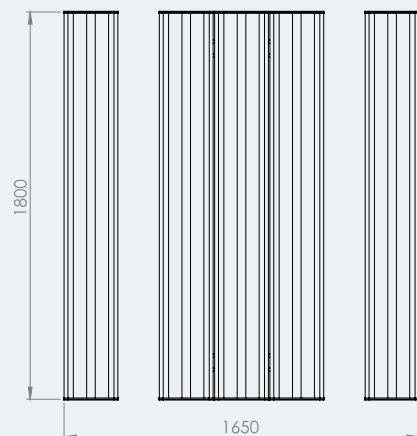
Bolt Down Park Setting

**Overall Plan:** 1808mm L x 1545mm W x 758mm H



**Table Top:** 1808mm L x 774mm W x 758mm H

**Seat Height:** 448mm



A Division of Felton International Group Pty Ltd  
ABN 17 130 687 240

