

OUTDOOR SHELTERS

Eco-Trend Sheltered Park Setting

Code: FELETSP

The newest addition to the Felton range of shelters is proving to be a very popular choice for parkland and picnic areas.



Key Features

- Seats up to 8
- Maximum weather protection with Colorbond® Roof – Deep Ocean as Standard
- Powder-coated frames – APO Grey
- Seats up to 8 people comfortably
- Latest in sleek design
- Bolt down lugs for maximum stability and safety
- Choice of colours available
- Coloured Safety End Caps available in red, blue, green, purple, yellow and orange

Ideal for

- Parks
- Schools
- Playgrounds
- Commercial Areas



Specifications

Eco-Trend Sheltered Park Setting

Overall Plan: 2210mm L x 1972mm W x 2576mm H

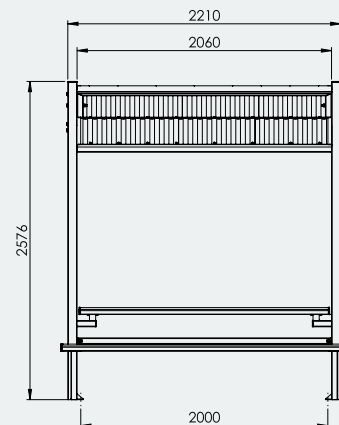
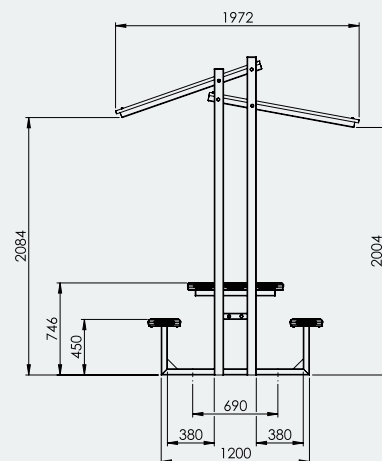


Table Top: 2000mm L x 690mm W x 746mm H



A Division of Felton International Group Pty Ltd
ABN 17 130 687 240

