

TABLES & CHAIRS

Jumbo Park Setting

Code: FELJPS

This highly durable, robust, and attractive setting is designed for greater user interaction.



Key Features

- Seats 12-14 people
- Highly popular throughout schools, recreation areas and parks
- Made tough to withstand the Australian climate
- Free-standing with provision to bolt down
- Coloured Safety End Caps available in red, blue, green, purple, yellow and orange

Ideal for

- Parks
- Schools
- Industry Areas
- Playgrounds

Specifications

Jumbo Park Setting

Overall Plan: 2760mm L x 1860mm W x 758mm H

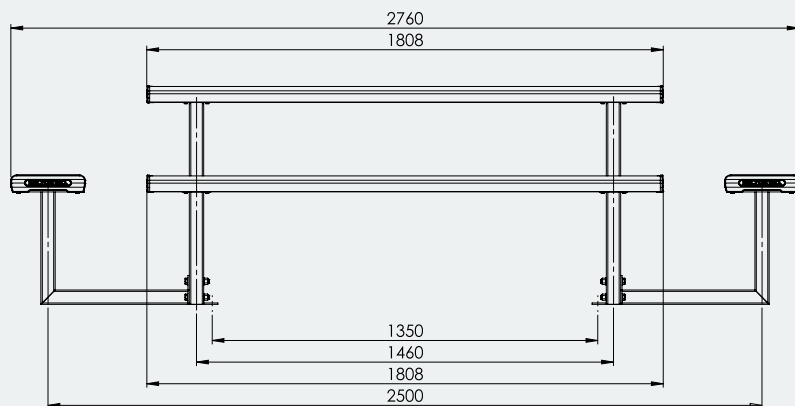
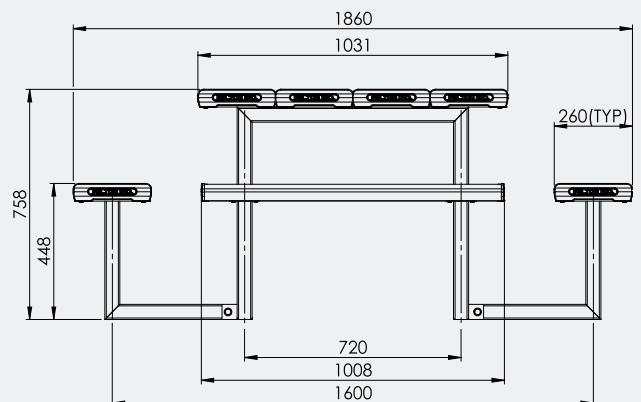


Table Top: 1808mm L x 1031mm W x 758mm H

Seat Height: 448mm



A Division of Felton International Group Pty Ltd
ABN 17 130 687 240

