

TABLES & CHAIRS

King Jumbo Park Setting

Code: FELKJPS

The king of seating for sizeable groups, this unit delivers whatever the size of the seating solution you need.



AUSTRALIAN
MADE & OWNED



UP TO 20% MORE
ALUMINIUM



7 YEAR
WARRANTY



BENCHMARK
ENGINEERING



PREMIUM
MATERIALS



Key Features

- Seats 16-18
- Free-standing with provision for bolt down
- Extra length with centre frame support
- Low maintenance
- Coloured Safety End Caps available in red, blue, green, purple, yellow and orange

Ideal for

- Parks
- Schools
- Playgrounds
- Industry Areas



Specifications

King Jumbo Park Setting

Overall Plan: 3960mm L x 1860mm W x 758mm H

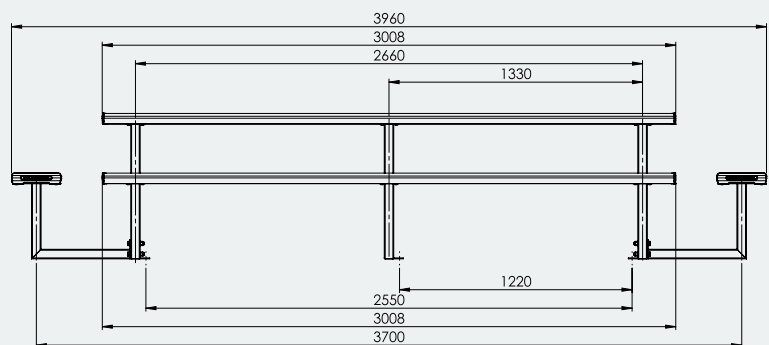
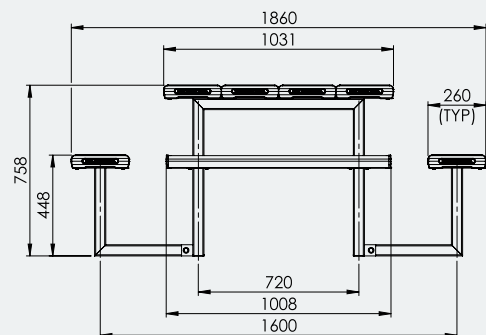


Table Top: 3008mm L x 1031mm W x 758 mm H

Seat Height: 448mm



A Division of Felton International Group Pty Ltd
ABN 17 130 687 240

