

## TABLES & CHAIRS

### Kids Park Setting

Code: EZYKPS8

Get the kids working together with this awesome interaction starter! This colourful and engaging setting is designed to make it more comfortable and easy work, eat or play. For children aged 8 years and under.



#### Key Features

- Seats up to 8 kids
- Perfect for any outdoor classroom
- Free-standing with provision for bolt down
- Choice of 6 powder-coated colours: Red, Blue, Green, Yellow, Orange & Purple. Plus Plain Aluminium

#### Ideal for

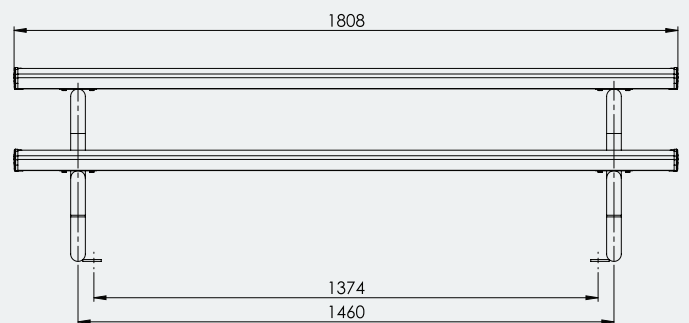
- Pre-schools
- Childcare centres
- Kids play areas
- Any outdoor areas



#### Specifications

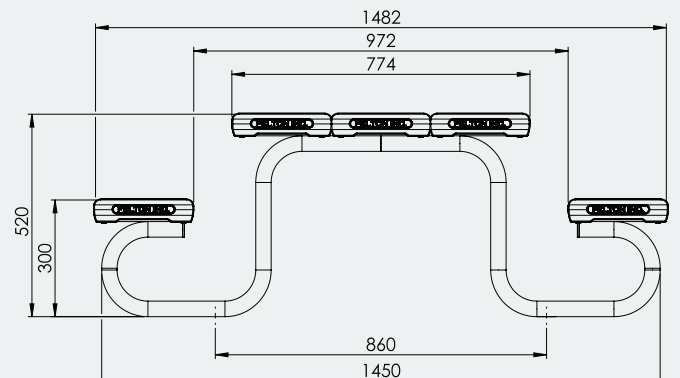
Kids Park Setting

**Overall Plan:** 1808mm L x 1450mm W x 520mm H



**Table Top:** 1808mm L x 774mm W x 520mm H

**Seat Height:** 300mm



A Division of Felton International Group Pty Ltd  
ABN 17 130 687 240

