

TABLES & CHAIRS

King Park Setting

Code: FELKGPS

Eat lunch like royalty with this stylish, robust and durable aluminium park setting. A must have for stylish outdoor dining for large groups!



AUSTRALIAN
MADE & OWNED



UP TO 20% MORE
ALUMINIUM



7 YEAR
WARRANTY



BENCHMARK
ENGINEERING



PREMIUM
MATERIALS

Key Features

- Seats 14 people
- Rounded edges for safety and comfort
- Marine-grade anodised finish protecting the unit from all environments.
- Free-standing with provision to bolt down
- Coloured Safety End Caps available in red, blue, green, purple, yellow and orange

Ideal for

- Parks
- Schools
- Industry Areas
- Playgrounds



Specifications

King Park Setting

Overall Plan: 3008mm L x 1840mm W x 730mm H

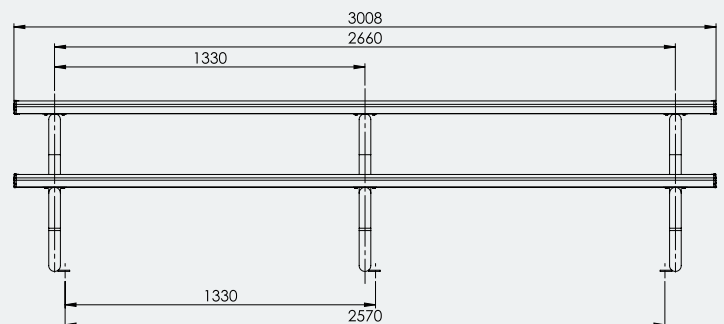
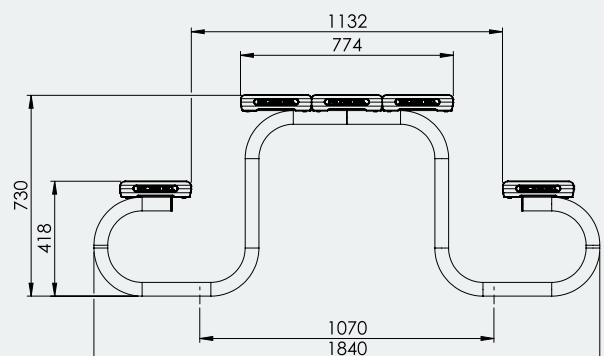


Table Top: 3008mm L x 774mm W x 730mm H

Seat Height: 418mm



A Division of Felton International Group Pty Ltd
ABN 17 130 687 240

