

GYM & CHANGE ROOM SEATING

Quad Plank Seating - 4M

Code: FELGCR20

Bring everything up off the ground with the Quad Plank Seat. Designed for areas with wet floors, this seating solution provides adequate personal space for everyone and their belongings.



AUSTRALIAN
MADE & OWNED



UP TO 20% MORE
ALUMINIUM



7 YEAR
WARRANTY



BENCHMARK
ENGINEERING



PREMIUM
MATERIALS

Key Features

- Fully aluminium – will not rust
- Bolt down or free standing options
- Hose down for cleaning purposes
- Custom sizes available
- Coloured Safety End Caps available in red, blue, green, purple, yellow and orange

Ideal for

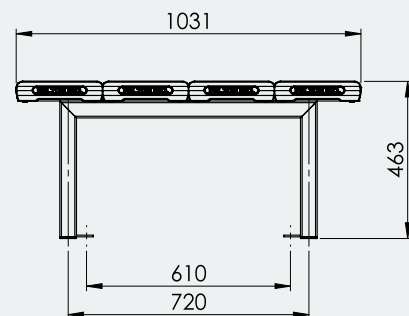
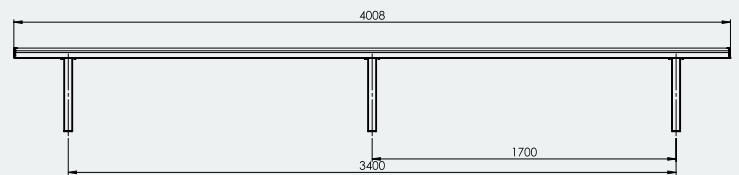
- Gyms
- Change Rooms
- Gardens
- Outdoor Areas



Specifications

Quad Plank Seating - 4M

Overall Plan: 4008mm L x 1031mm W x 463mm H



A Division of Felton International Group Pty Ltd
ABN 17 130 687 240

