

EZYSEAT

Kids Jumbo Park Setting

Code: EZYJPS

Get the kids working together with this awesome interaction starter! This colourful and engaging setting is designed to make it more comfortable and easy work, eat or play.



AUSTRALIAN
MADE & OWNED



UP TO 20% MORE
ALUMINIUM



7 YEAR
WARRANTY



BENCHMARK
ENGINEERING



PREMIUM
MATERIALS

Key Features

- Seats up to 14 kids
- Free-standing with provision for bolt down
- Choice of 6 powder-coated colours: Red, Blue, Green, Yellow, Orange & Purple. Plus Plain Aluminium

Ideal for

- Pre-schools
- Childcare centres
- Kids play areas
- Any outdoor areas



Specifications

Kids Jumbo Park Setting

Overall Plan: 2610mm L x 1610mm W x 516mm H

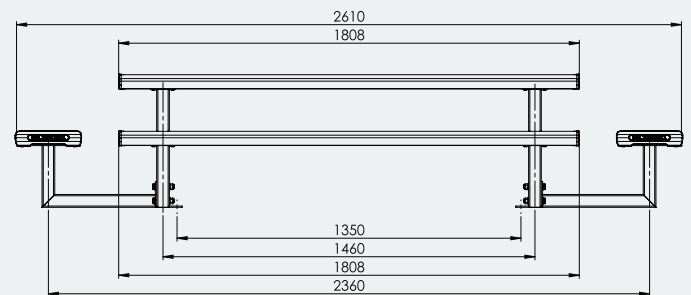
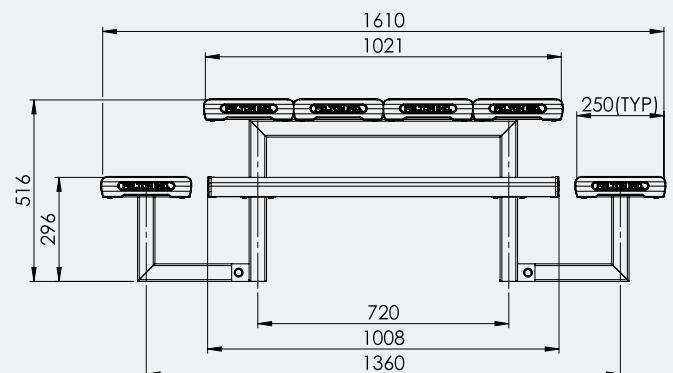


Table Top: 1808mm L x 1021mm W x 516mm H

Seat Height: 296mm



A Division of Felton International Group Pty Ltd
ABN 17 130 687 240

