

## TABLES & CHAIRS

### 4-Sided Pedestal Park Setting

Code: FEL4PPS

Engineered for strength and durability, this sturdy aluminium setting creates a relaxed, face-to-face atmosphere for users. The sculptural visual appeal is sure to attract attention in whatever environment it is positioned.



#### Key Features

- Seats 8
- Space saver
- Heavy duty and durable
- Available in a range of colours
- Powder coating colouring option
- Any weather
- Coloured Safety End Caps available in red, blue, green, purple, yellow and orange

#### Ideal for

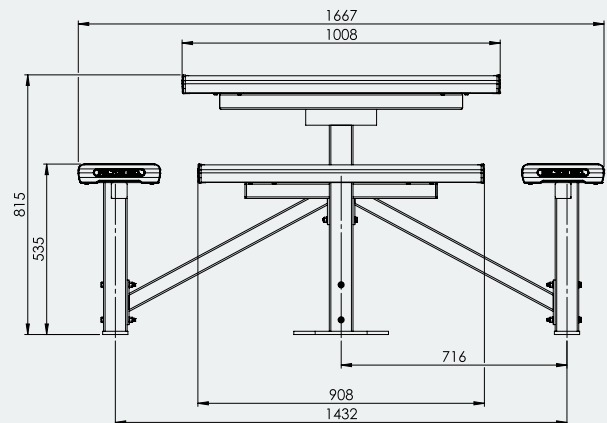
- Parks
- Schools
- Playgrounds
- Any Outdoor Areas



#### Specifications

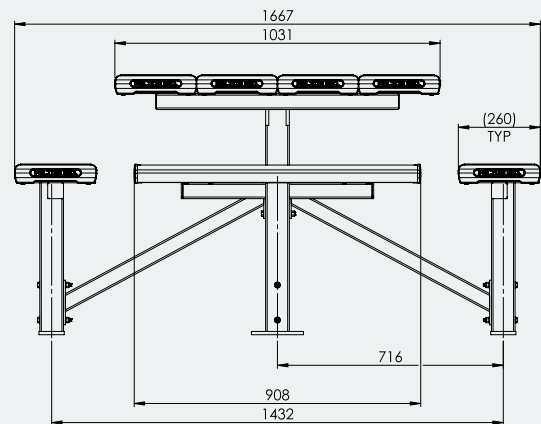
4-Sided Pedestal Park Setting

**Overall Plan:** 1667mm L x 1667mm W x 815mm H



**Table Top:** 1008mm L x 1031mm W x 815mm H

**Seat Height:** 418mm



A Division of Felton International Group Pty Ltd  
ABN 17 130 687 240

