

GRANDSTANDS

2 Tier 2M Double Plank with Backrest Spectator Seating

Code: 2TGS1

Double plank tiers work to provide an added level of safety and comfort meaning the only thing going overboard will be the cheering.



AUSTRALIAN
MADE & OWNED



UP TO 20% MORE
ALUMINIUM



7 YEAR
WARRANTY



BENCHMARK
ENGINEERING



PREMIUM
MATERIALS

Key Features

- 2 or 3 tiers available
- Seats between 10-12 or 16-18
- Great for narrow spaces
- Available as 2, 3 or 4 metre lengths
- Bolt down or free standing
- Backrest on the top tier
- Coloured Safety End Caps available in red, blue, green, purple, yellow and orange

Ideal for

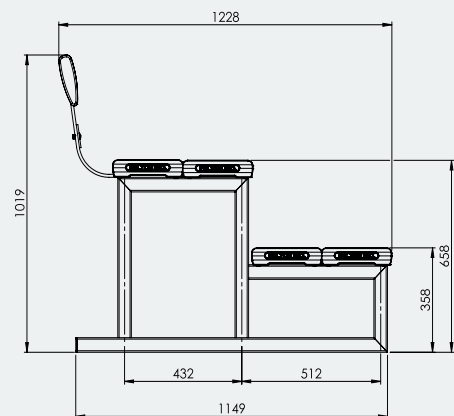
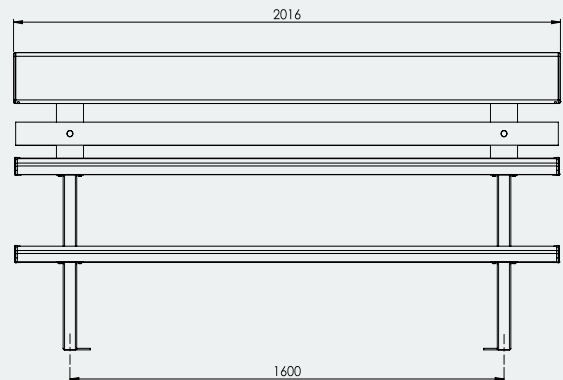
- Sports Clubs
- Schools & Universities
- Council Grounds
- Any Outdoor Venue



Specifications

2Tier 2M Double Plank with Backrest Spectator Seating

Overall Plan: 1228mm D x 2016mm L x 1019mm H
(658mm H 2nd Tier)



A Division of Felton International Group Pty Ltd
ABN 17 130 687 240

