

## GRANDSTANDS

### 3 Tier 2M Double Plank with Backrest Spectator Seating

Code: 3TGS1

Double plank tiers work to provide an added level of safety and comfort meaning the only thing going overboard will be the cheering. A popular choice throughout schools, gyms, clubs and sporting grounds.



#### Key Features

- 2 or 3 tiers available
- Great for narrow spaces
- Available as 2, 3 or 4 metre lengths
- Bolt down or free standing
- Backrest on the top tier
- Coloured Safety End Caps available in red, blue, green, purple, yellow and orange

#### Ideal for

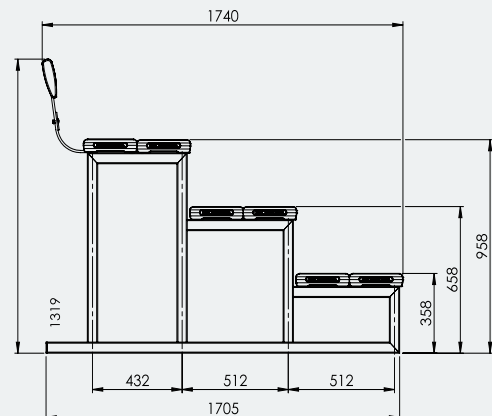
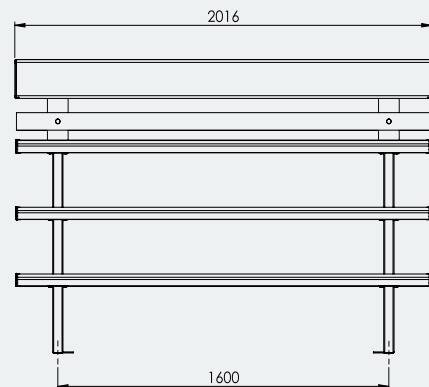
- Sports Clubs
- Schools & Universities
- Council Grounds
- Any Outdoor Venue



#### Specifications

3 Tier 2M Double Plank with Backrest Spectator Seating

**Overall Plan:** 2016mm D x 1740mm W x 1319mm H  
(958mm H 3rd Tier)



A Division of Felton International Group Pty Ltd  
ABN 17 130 687 240

