

# GRANDSTANDS

## 3 Tier 2M Tiered Seating

Code: 3TKG2

Double, triple or quadruple your seating situation with this strong but lightweight product. From sports grounds to assemblies this versatile seating solution is suitable for indoor and outdoor use.



### Key Features

- 3 Tier seats up to 16 people
- Available as 2m, 3m or 4m lengths
- Footrests standard
- Free standing or bolt down
- Coloured Safety End Caps available in red, blue, green, purple, yellow and orange

### Ideal for

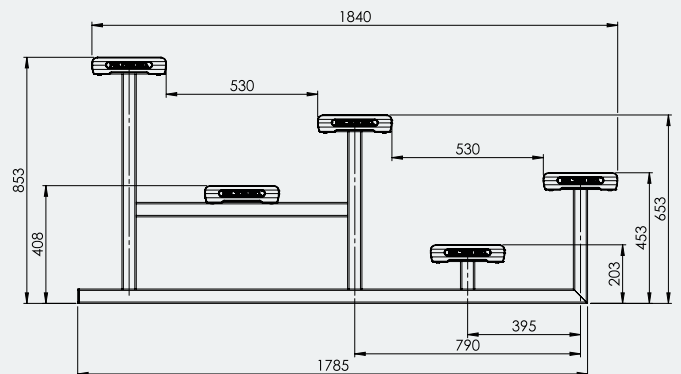
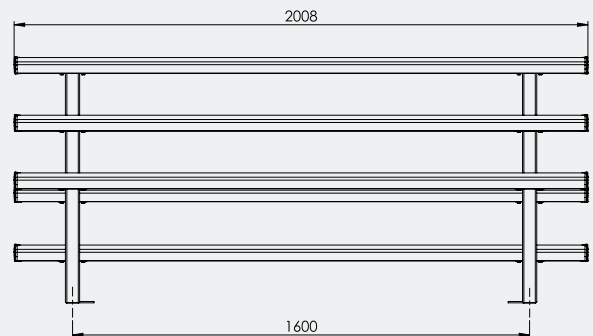
- Sports Clubs
- Schools & Universities
- Council Grounds
- Any Indoor or Outdoor Venue



### Specifications

3 Tier 2M Tiered Seating

**Overall Plan:** 2008mm L x 1840mm D x 853mm H (3rd Tier)



A Division of Felton International Group Pty Ltd  
ABN 17 130 687 240

