

GRANDSTANDS

3 Tier 3M Tiered Seating

Code: 3TKG3

Double, triple or quadruple your seating situation with this strong but lightweight product. From sports grounds to assemblies this versatile seating solution is suitable for indoor and outdoor use.



AUSTRALIAN
MADE & OWNED



UP TO 20% MORE
ALUMINIUM



7
YEAR
WARRANTY



BENCHMARK
ENGINEERING



PREMIUM
MATERIALS

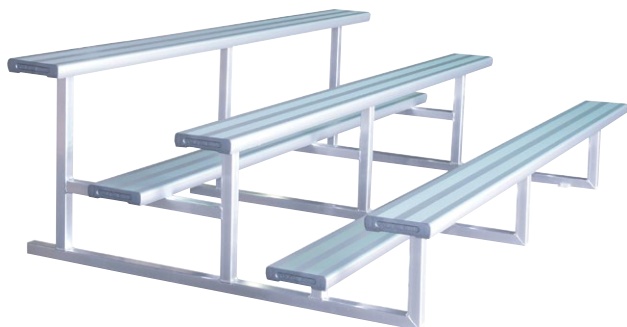


Key Features

- 3 Tier seats up to 16 people
- Available as 2m, 3m or 4m lengths
- Footrests standard
- Free standing or bolt down
- Coloured Safety End Caps available in red, blue, green, purple, yellow and orange

Ideal for

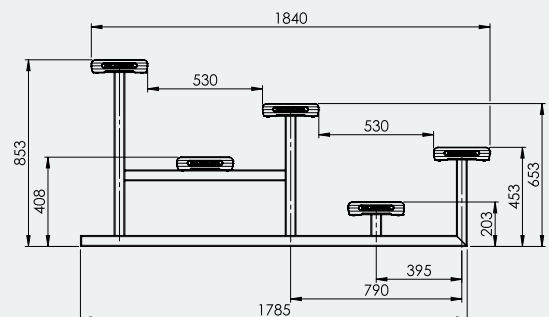
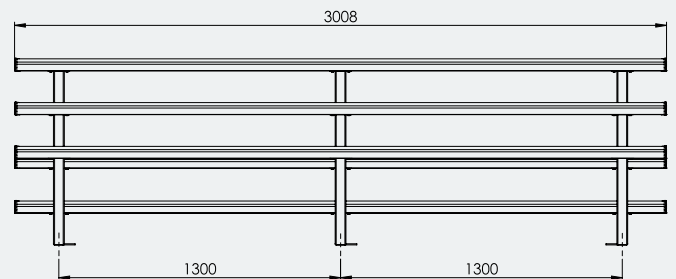
- Sports Clubs
- Schools & Universities
- Council Grounds
- Any Indoor or Outdoor Venue



Specifications

3 Tier 3M Tiered Seating

Overall Plan: 3008mm L x 1840mm D x 853mm H
(3rd Tier)



A Division of Felton International Group Pty Ltd
ABN 17 130 687 240

