

GYM & CHANGE ROOM SEATING

Double Plank Seating 2M

Code: FELGCR12

Whether it's a place to throw bags, a seat for the sidelines or a central island, the Felton Double Plank Seat has it sorted. Well-suited for high-use, wet environments like pools and surf clubs.



AUSTRALIAN
MADE & OWNED



UP TO 20% MORE
ALUMINIUM



7 YEAR
WARRANTY



BENCHMARK
ENGINEERING



PREMIUM
MATERIALS

Key Features

- Fully aluminium – will not rust
- Bolt down or free standing options
- Hose down for cleaning purposes
- Custom sizes available
- Coloured Safety End Caps available in red, blue, green, purple, yellow and orange

Ideal for

- Gyms
- Change Rooms
- Gardens
- Outdoor Areas



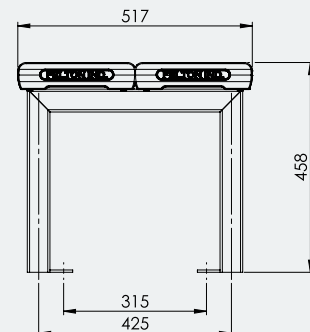
Specifications

Double Plank Seating 2M

Overall Plan: 517mm W x 458mm H



Seat Height: 458mm



A Division of Felton International Group Pty Ltd
ABN 17 130 687 240

