

## EZYSEAT

### Kids In-Ground Bench Seat 2M

Code: EZYJIG2

Create the perfect environment for your students with Felton Ezyseat In-Ground Bench Seat. Built to exacting standards, this strong aluminium bench is the perfect solution to your seating problems. Available in 2 convenient heights 250mm and 300mm.



AUSTRALIAN  
MADE & OWNED



UP TO 20% MORE  
ALUMINIUM



7 YEAR  
WARRANTY



BENCHMARK  
ENGINEERING



PREMIUM  
MATERIALS



#### Key Features

- Available in 1, 2 and 3 metre lengths – Custom lengths available
- 3 metre lengths provided with additional centred leg support
- In 2 convenient heights 250mm and 300mm
- Rounded edges for safety and comfort
- Marine-grade anodised finish protects in any weather
- Choice of 6 powder-coated colours: Red, Blue, Green, Yellow, Orange & Purple. Plus Plain Aluminium
- Wall mounting available

#### Ideal for

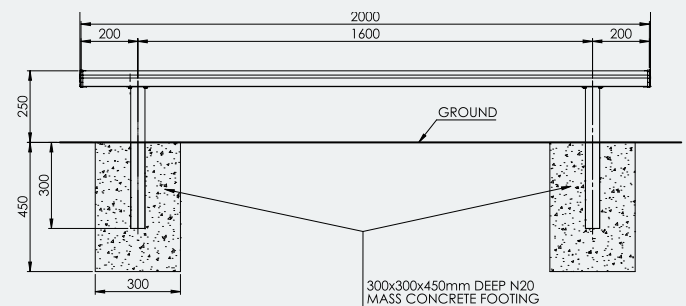
- Pre-schools
- Childcare centres
- Kids play areas
- Any outdoor areas



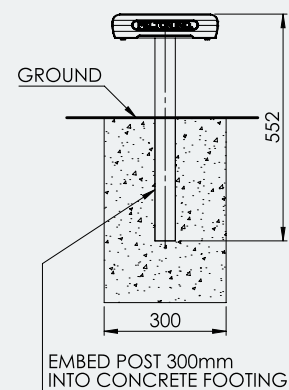
#### Specifications

Kids In-Ground Bench Seat 2M

**Overall Plan:** 250mm H x 2000mm L



#### Seat Height: 250mm



A Division of Felton International Group Pty Ltd  
ABN 17 130 687 240

