

EZYSEAT

Kids Party Size Snack Bar Setting

Code: EZYSBS4250

Make any space a party place! Made from lightweight aluminium, the Ezyseat Party Size Snack Bar Setting is ideal for preschools, kindergartens and day-care.



Key Features

- 10 seats
- Lightweight and robust
- Easy to move, stack and store
- Tables and chairs can be used separately
- Choice of 6 powder-coated colours: Red, Blue, Green, Yellow, Orange & Purple. Plus Plain Aluminium

Ideal for

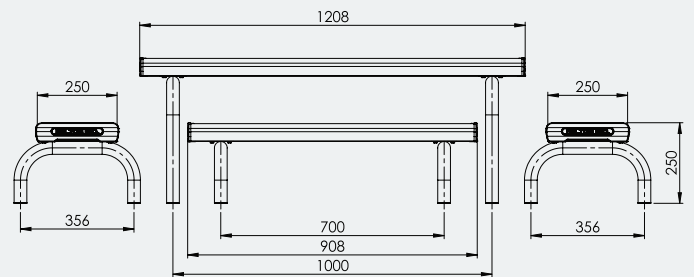
- Pre-schools
- Childcare centres
- Kids play areas
- Any outdoor areas



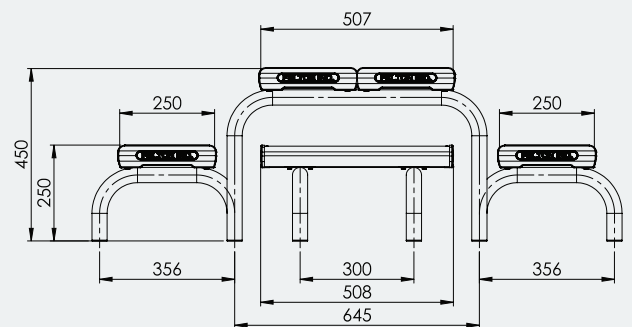
Specifications

Kids Snack Bar Setting Size 1

Overall Plan: 1208mm x 645mm W x 450mm H



Seat Height: 250mm



A Division of Felton International Group Pty Ltd
ABN 17 130 687 240

