

# EZYSEAT

## Kids Party Size Snack Bar Setting

Code: EZYSBS4300

Make any space a party place! Made from lightweight aluminium, the Ezyseat Party Size Snack Bar Setting is ideal for preschools, kindergartens and day-care.



### Key Features

- 10 seats
- Lightweight and robust
- Easy to move, stack and store
- Tables and chairs can be used separately
- Choice of 6 powder-coated colours: Red, Blue, Green, Yellow, Orange & Purple. Plus Plain Aluminium

### Ideal for

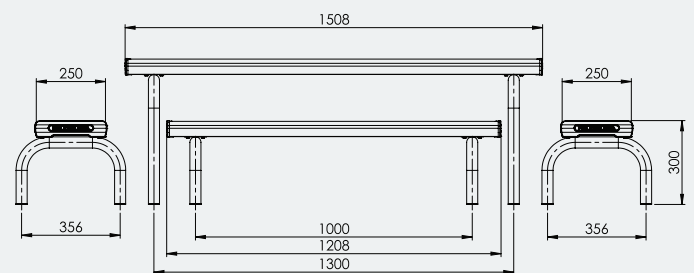
- Pre-schools
- Childcare centres
- Kids play areas
- Any outdoor areas



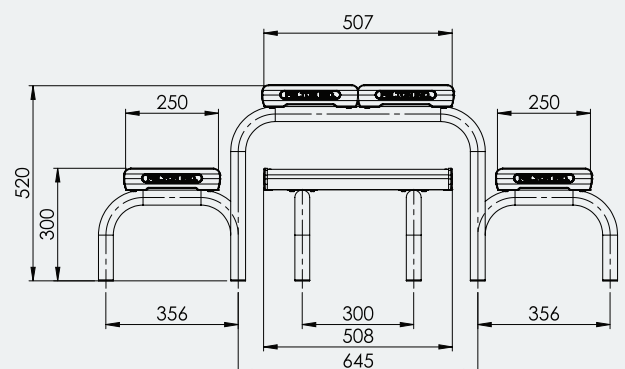
### Specifications

Kids Snack Bar Setting Size 2

**Overall Plan:** 1508mm L x 645mm W x 520mm H



**Seat Height:** 300mm



A Division of Felton International Group Pty Ltd  
ABN 17 130 687 240

