

OUTDOOR SHELTERS

6×3 Aluminium Skillion Shelter

Code: FELASS63

This stylish Aluminium Skillion Shelter features an architectural louvre screen and 6m Colorbond Roof providing an extensive 18 square metres of shaded shelter. Perfect for parks, schools and community areas.



AUSTRALIAN
MADE & OWNED



UP TO 20% MORE
ALUMINIUM



7
YEAR
WARRANTY



BENCHMARK
ENGINEERING



PREMIUM
MATERIALS



Key Features

- 6mtr x 3mtr Aluminium Skillion Shelter
- Full Aluminium Frame Construction
- 7.6 Degree Skillion Roof Design
- Aluminium strip Louvre Screen included on 1 x 6mtr side as standard
- Engineered for Wind Region C Terrain Category 2.5
- Bolt Down Footing Design Only
- Colorbond® Iron Roofing Material – Deep Ocean Standard with Alternative Colour Options Available

Ideal for

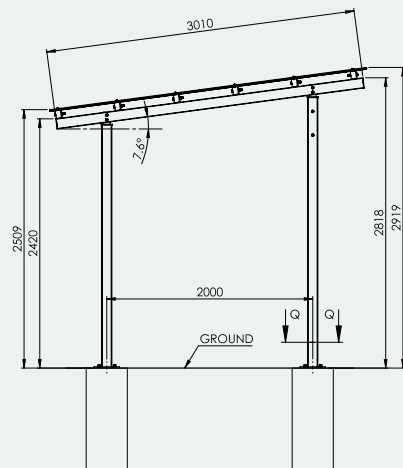
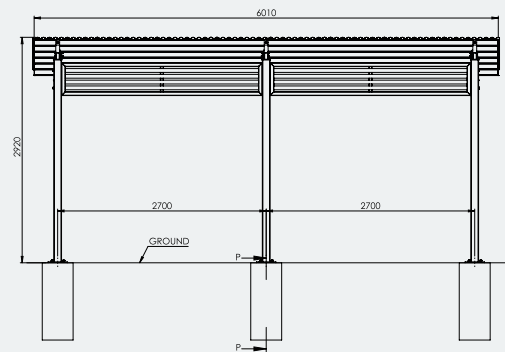
- Parks
- Schools
- Commercial Areas
- Any Outdoor Areas



Specifications

6×3 Aluminium Skillion Shelter

Overall Plan: 6042mm L x 3073mm W x 2920mm (highest point)



A Division of Felton International Group Pty Ltd
ABN 17 130 687 240

