

## OUTDOOR SHELTERS

### 6×3 Aluminium Skillion Shelter

Code: FELASS63

This stylish Aluminium Skillion Shelter features an architectural louvre screen and 6m Colorbond Roof providing an extensive 18 square metres of shaded shelter. Perfect for parks, schools and community areas.



AUSTRALIAN  
MADE & OWNED



UP TO 20% MORE  
ALUMINIUM



7 YEAR  
WARRANTY



BENCHMARK  
ENGINEERING



PREMIUM  
MATERIALS



#### Key Features

- 6mtr x 3mtr Aluminium Skillion Shelter
- Full Aluminium Frame Construction
- 7.6 Degree Skillion Roof Design
- Aluminium strip Louvre Screen included on 1 x 6mtr side as standard
- Engineered for Wind Region C Terrain Category 2.5
- Bolt Down Footing Design Only
- Colorbond® Iron Roofing Material – Deep Ocean Standard with Alternative Colour Options Available

#### Ideal for

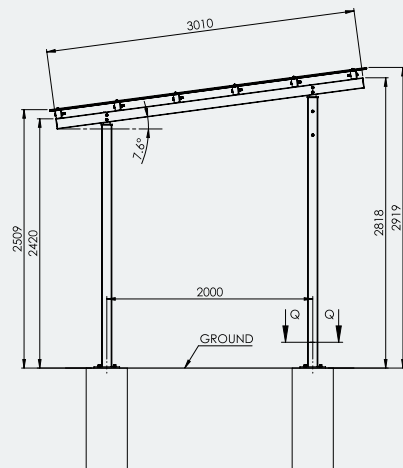
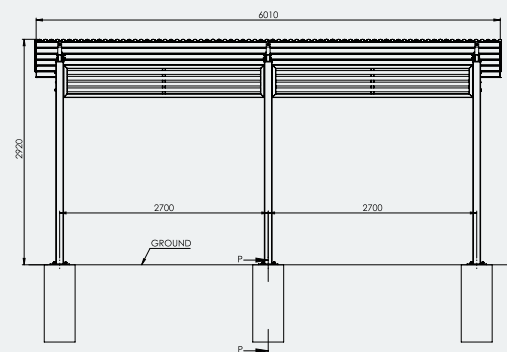
- Parks
- Schools
- Commercial Areas
- Any Outdoor Areas



#### Specifications

6×3 Aluminium Skillion Shelter

**Overall Plan:** 6042mm L x 3073mm W x 2920mm (highest point)



A Division of Felton International Group Pty Ltd  
ABN 17 130 687 240

