

TABLES & CHAIRS

Park Setting with Backrests (Advanced)

Code: FELAPSBR

Transform your spaces into a modern social hub! The 2-Sided Park Settings with Backrests create a contemporary appeal with their sleek aluminium finish.



AUSTRALIAN
MADE & OWNED



UP TO 20% MORE
ALUMINIUM



7
YEAR
WARRANTY



BENCHMARK
ENGINEERING



PREMIUM
MATERIALS



Key Features

- Seats up to 8
- Perfect fit into any metropolitan, country or natural environment
- Extra comfort and support
- Popular with adults and elderly people
- Wheelchair accessibility
- Coloured Safety End Caps available in red, blue, green, purple, yellow and orange

Ideal for

- Parks
- Schools
- Industry Areas
- Playgrounds



Specifications

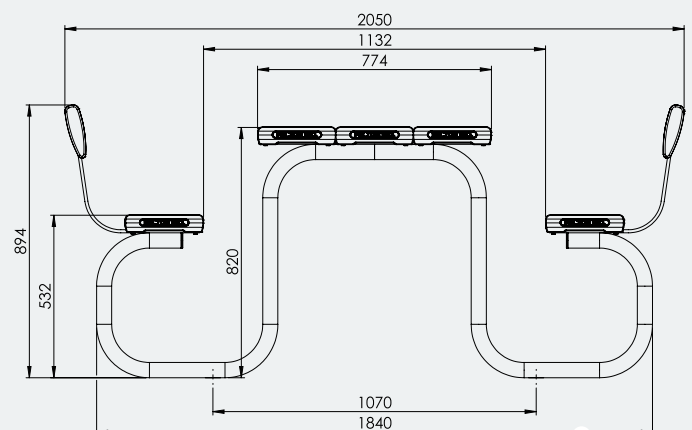
Park Setting with Backrests (Advanced)

Overall Plan: 1816mm L x 2050mm W x 894mm H



Table Top: 1816mm L x 2050mm W x 894mm H

Seat Height: 532mm



A Division of Felton International Group Pty Ltd
ABN 17 130 687 240

