

TABLES & CHAIRS

In-Ground Park Setting

Code: FELIGPS

Made from anodised aluminium, the sturdy In-Ground Park Setting will withstand Australian conditions. The visual line contour of this setting makes it a perfect piece for grassed areas.



AUSTRALIAN
MADE & OWNED



UP TO 20% MORE
ALUMINIUM



7 YEAR
WARRANTY



BENCHMARK
ENGINEERING



PREMIUM
MATERIALS

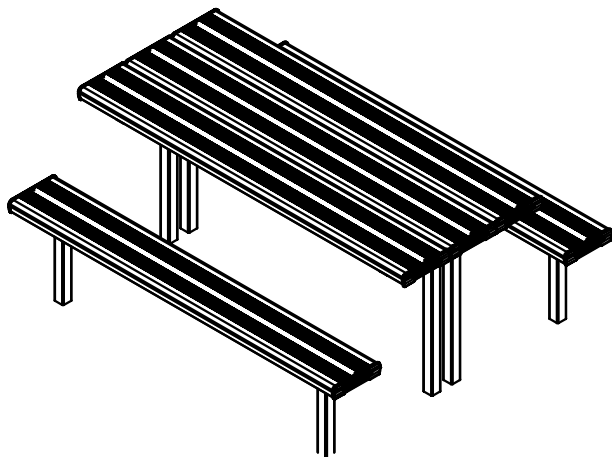


Key Features

- Seats up to 8
- New and improved design features added strength and support
- Adjustable heights & distances – at time of installation
- Wheelchair accessibility
- Coloured Safety End Caps available in red, blue, green, purple, yellow and orange

Ideal for

- Parks
- Schools
- Rest Areas
- Playgrounds



Specifications

In-Ground Park Setting

Overall Plan: 1808mm L x 1546mm W x 808mm H

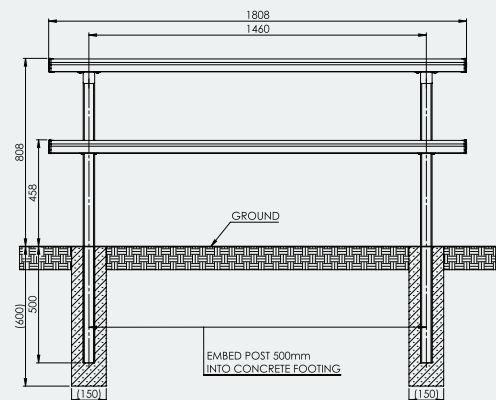
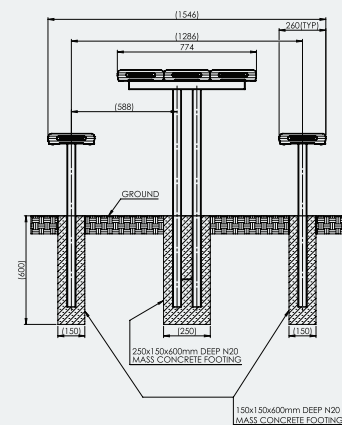


Table Top: 1808mm L x 774mm W x 808mm H

Seat Height: 458mm



A Division of Felton International Group Pty Ltd
ABN 17 130 687 240

