

## TABLES & CHAIRS

### Interactive Wheelchair Setting

Code: FELIWS

There are no boundaries to communication with the Interactive Wheelchair Setting – everyone can actively join the conversation as seating is strategically placed for maximum interaction.



AUSTRALIAN  
MADE & OWNED



UP TO 20% MORE  
ALUMINIUM



7 YEAR  
WARRANTY



BENCHMARK  
ENGINEERING



PREMIUM  
MATERIALS

#### Key Features

- Seats up to 8, including 2 wheelchairs
- DDA Compliant
- Maximising social interactions
- Coloured Safety End Caps available in red, blue, green, purple, yellow and orange

#### Ideal for

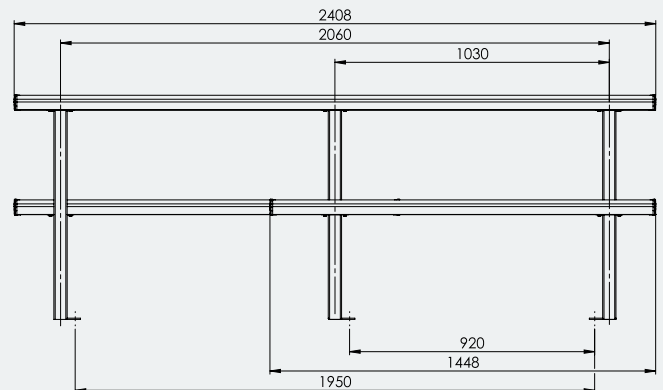
- Parks
- Aged Care
- Commercial Areas
- Hospitals



#### Specifications

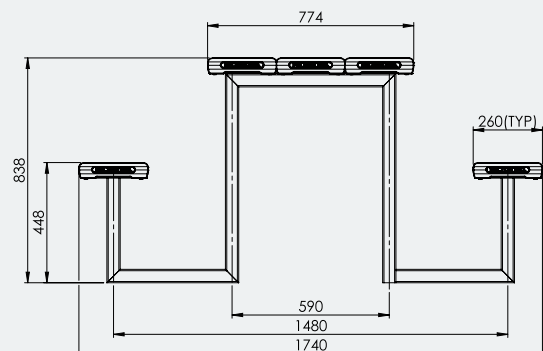
Interactive Wheelchair Setting

**Overall Plan:** 2408mm L x 1740mm W x 838mm H



**Table Top:** 2408mmL x 774mm W x 838mm H

**Seat Height:** 458mm



A Division of Felton International Group Pty Ltd  
ABN 17 130 687 240

