

## TABLES & CHAIRS

### Lunch 'n' Learn Setting

Code: FEL-LLS

UV resistant outdoor Laminex table tops put these settings at the top of their class. Ideal for outdoor classrooms or for outdoor dining. Smooth surfaces are perfect for advertising on table tops.



#### Key Features

- Seats up to 8
- Easy to write on tables are perfect for outdoor learning
- Easy to clean – suited for eating areas
- Smooth finish – perfect for advertising
- Free-standing with provision to bolt down
- Easy to write on
- For Kids Lunch & Learn Setting powder coating of legs is available in red, green, blue or yellow.

#### Ideal for

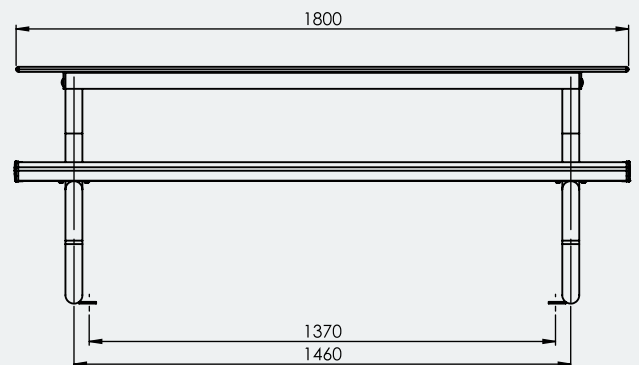
- Parks
- Schools
- Outdoor Dining
- Advertising



#### Specifications

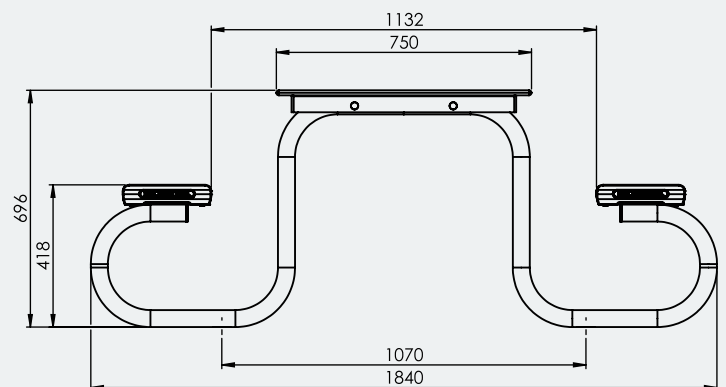
Lunch 'n' Learn Setting

**Overall Plan:** 1800mm L x 1840mm W x 696mm H



**Table Top:** 1800mm L x 750mm W x 696mm H

**Seat Height:** 418mm



A Division of Felton International Group Pty Ltd  
ABN 17 130 687 240

