

TABLES & CHAIRS

Standard Wheelchair Setting

Code: FELSW5

This setting seats up to two wheelchair users and four non-wheelchair users, allowing for cozy and relaxed conversations between friends, students, family or community.



AUSTRALIAN
MADE & OWNED



UP TO 20% MORE
ALUMINIUM



7 YEAR
WARRANTY



BENCHMARK
ENGINEERING



PREMIUM
MATERIALS

Key Features

- Seats up to 6, including 2 wheelchairs
- DDA Compliant
- Free standing with provision to bolt down
- Highly popular with schools, hospitals, accommodation and recreation areas
- Simple and economical design
- Coloured Safety End Caps available in red, blue, green, purple, yellow and orange

Ideal for

- Aged Care
- Hospitals
- Parks
- Schools



Specifications

Standard Wheelchair Setting

Overall Plan: 2008mm L x 1257mm W x 838mm H

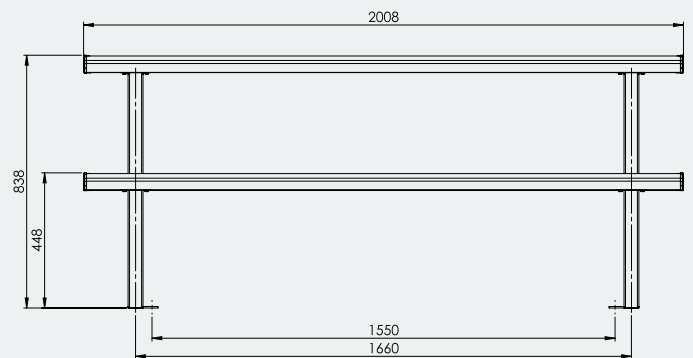
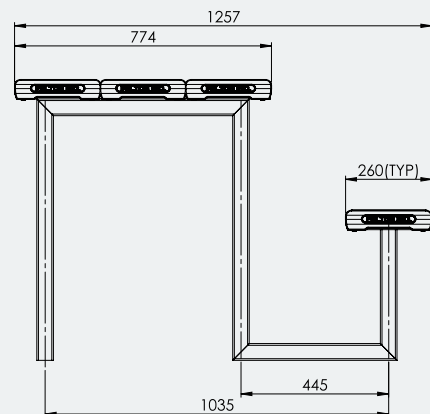


Table Top: 2008mm L x 774mm W x 838mm H

Seat Height: 448mm



A Division of Felton International Group Pty Ltd
ABN 17 130 687 240

