

GYM & CHANGE ROOM SEATING

Triple Plank Seating - 4M

Code: FELGCR17

Whether it's a place to throw bags, a seat for the sidelines or a central island, the Felton Triple Plank Seat has it sorted. Well-suited for high-use, wet environments like pools and surf clubs. A third plank gives plenty of room for people and their stuff too.



Key Features

- Fully aluminium – will not rust
- Bolt down or free standing options
- Hose down for cleaning purposes
- Custom sizes available
- Coloured Safety End Caps available in red, blue, green, purple, yellow and orange

Ideal for

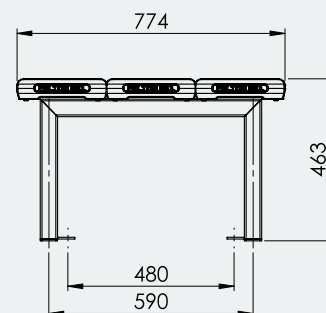
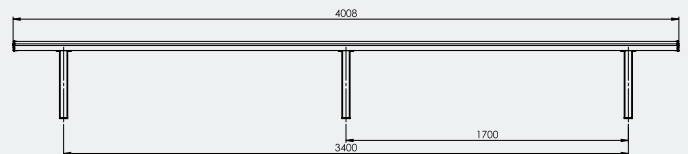
- Gyms
- Change Rooms
- Gardens
- Outdoor Areas



Specifications

Triple Plank Seating - 4M

Overall Plan: 4008mm L x 774mm W x 463mm H



A Division of Felton International Group Pty Ltd
ABN 17 130 687 240

