

# GRANDSTANDS

## 2 Tier 4M Tiered Seating

Code: 2TKG4

Double, triple or quadruple your seating situation with this strong but lightweight product. From sports grounds to assemblies this versatile seating solution is suitable for indoor and outdoor use.

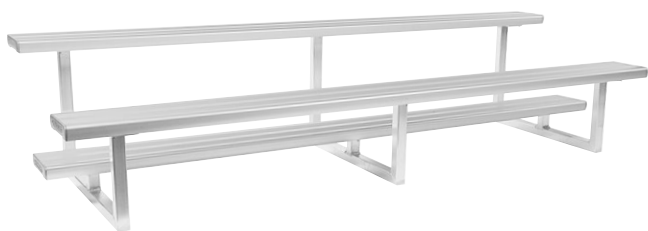


### Key Features

- 2 Tier seats up to 10 people
- Available as 2m, 3m or 4m lengths
- Footrests standard
- Free standing or bolt down
- Coloured Safety End Caps available in red, blue, green, purple, yellow and orange

### Ideal for

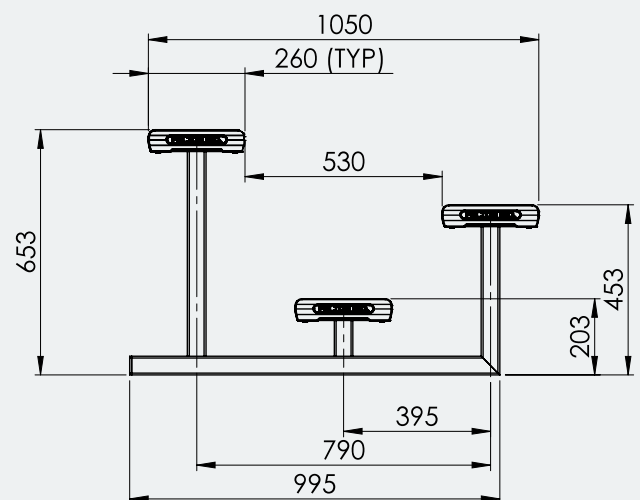
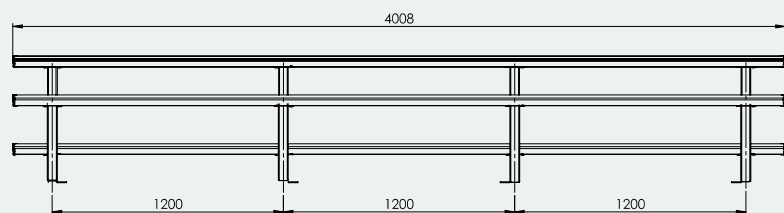
- Sports Clubs
- Schools & Universities
- Council Grounds
- Any Indoor or Outdoor Venue



### Specifications

2 Tier 4M Tiered Seating

**Overall Plan:** 4008mm L x 653mm H (2nd Tier)  
x 1050mm D



A Division of Felton International Group Pty Ltd  
ABN 17 130 687 240

