

GRANDSTANDS

3 Tier 4M Tiered Seating

Code: 3TKG4

Double, triple or quadruple your seating situation with this strong but lightweight product. From sports grounds to assemblies this versatile seating solution is suitable for indoor and outdoor use.



Key Features

- 2 Tier seats up to 10 people
- Available as 2m, 3m or 4m lengths
- Footrests standard
- Free standing or bolt down
- Coloured Safety End Caps available in red, blue, green, purple, yellow and orange

Ideal for

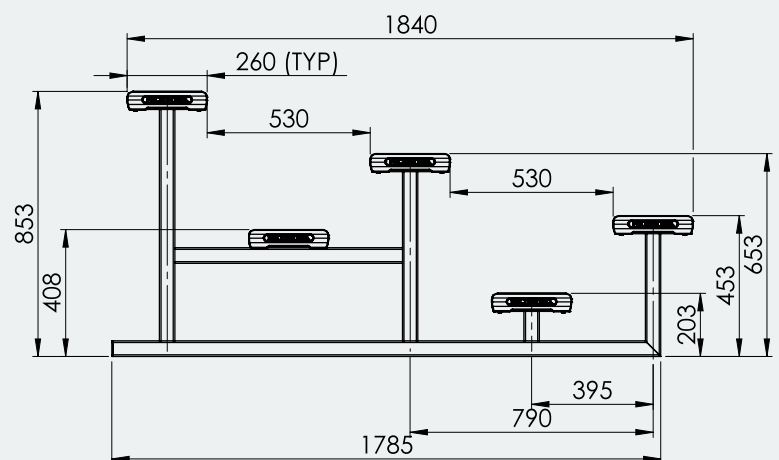
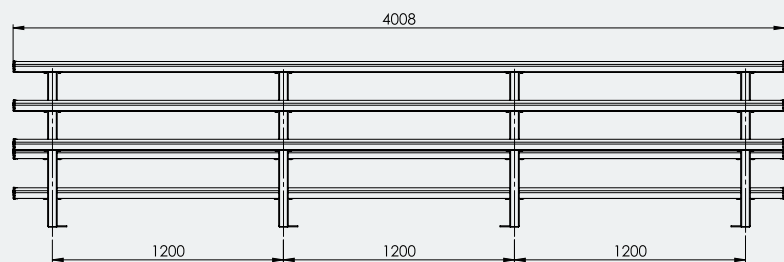
- Sports Clubs
- Schools & Universities
- Council Grounds
- Any Indoor or Outdoor Venue



Specifications

3 Tier 4M Tiered Seating

Overall Plan: 4008mm L x 853mm H (3rd Tier)
x 1840mm D



A Division of Felton International Group Pty Ltd
ABN 17 130 687 240

