

ASSEMBLY INSTRUCTION

Thank You

FOR CHOOSING FELTON INDUSTRIES

2 TIER 3mtr WALL MOUNTED
SPECTATOR SEATING
[Code No: 2TGS8]



"This product has been manufactured in Australia to the highest quality standard, guaranteeing proven quality, durability and low maintenance"



☎ 1800 22 00 55

📄 1800 05 91 58

✉ sales@felton.net.au

🌐 www.felton.net.au

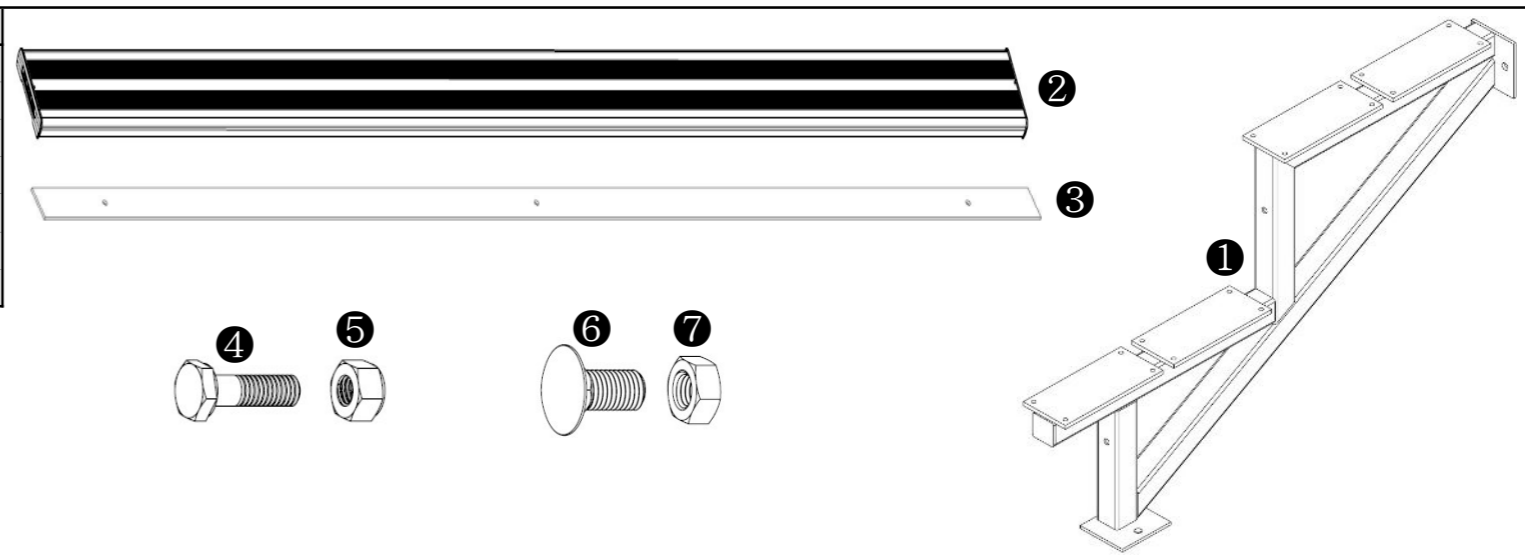


Felton Industries Pty Ltd | ABN: 17 130 687 240



WARNING: This assembly required two or more people as lifting is involved. Please ensure bolts and nuts are only finger-tightened throughout assembly for flexibility in lining up components. Bolt and nuts should be securely tightened in place when instructed to do so. Please check all components are included before proceeding with the assembly

ITEM	DESCRIPTION	Qty
1	2 TIER WALL MOUNTED BASE FRAME	3
2	TIER PLANK L3000	4
3	FLAT BAR 80x6xL3000	2
4	AS-NZS 2465 Bolt - 1/4" x 1"	48
5	AS-NZS NYLON Nut - 1/4"	48
6	AS 1112 Bolt - 3/8" x 1"	6
7	AS 1112 Nut - 3/8"	6



1

Attach two planks ② to three base frames ① at the top position by using bolts ④ and nuts ⑤.
Note that all fixing lugs on base frames ① face inwards.

2

Repeat step 1 with two remaining planks ② at lower position on base frames ①.

3

Attach the whole assembly in step 2 firmly to the ground and wall with appropriate dynabolts M12 on each frame lug. Tighten all hexagonal head bolts with spanners and appropriate tools.

4

Attach two long flat bars ③ to frames ① by using bolts ⑥ and nuts ⑦ as illustrated. Ensure all bolts and nuts are tightened completely. **The grandstand is now ready to be used!**