

ASSEMBLY INSTRUCTION

Thank You

FOR CHOOSING FELTON INDUSTRIES

KIDS IN-GROUND BENCH SEAT 3mtr
[Code No: EZYSIG3]



"This product has been manufactured in Australia to the highest quality standard, guaranteeing proven quality, durability and low maintenance"



1800 22 00 55

1800 05 91 58

sales@felton.net.au

www.felton.net.au

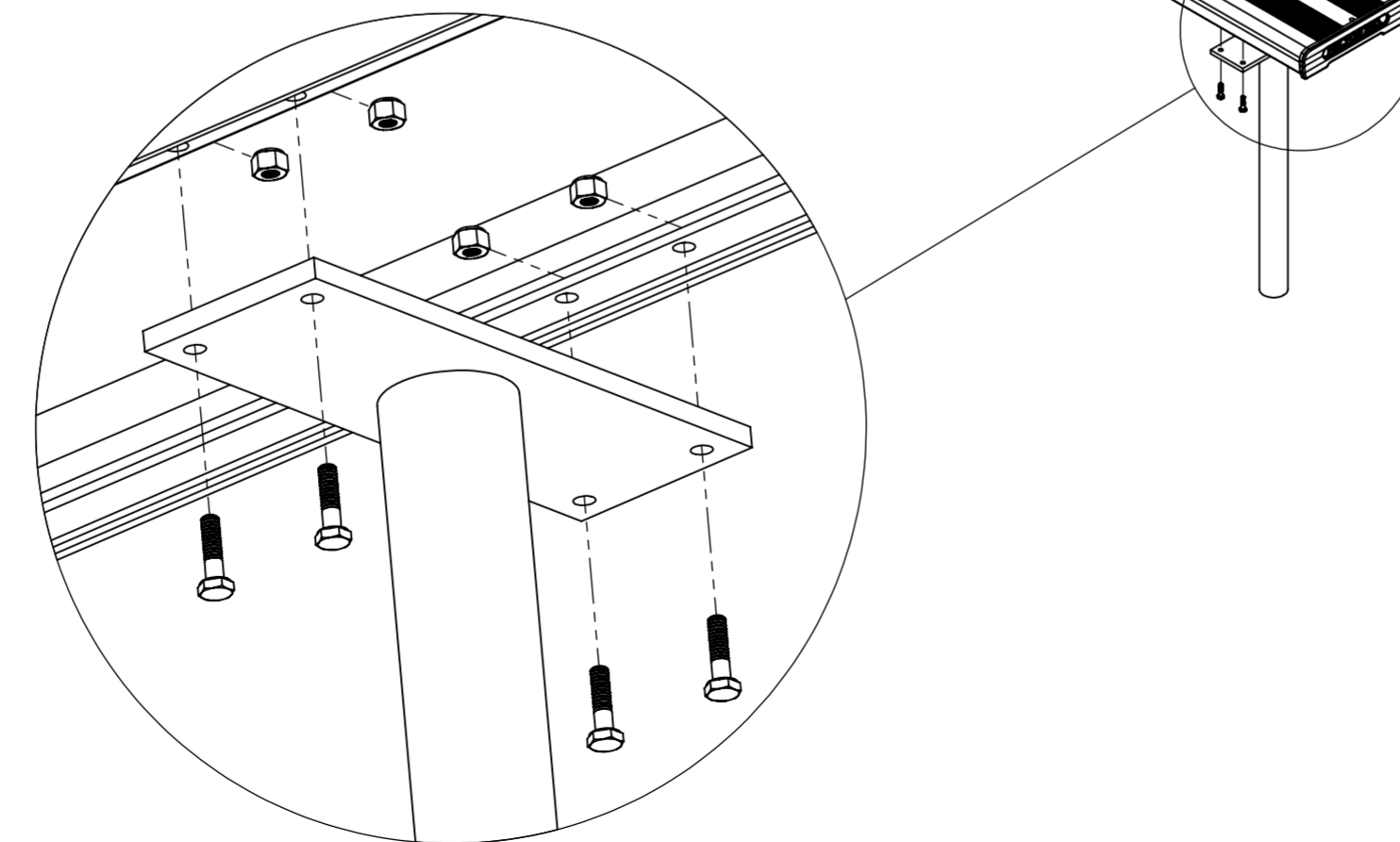
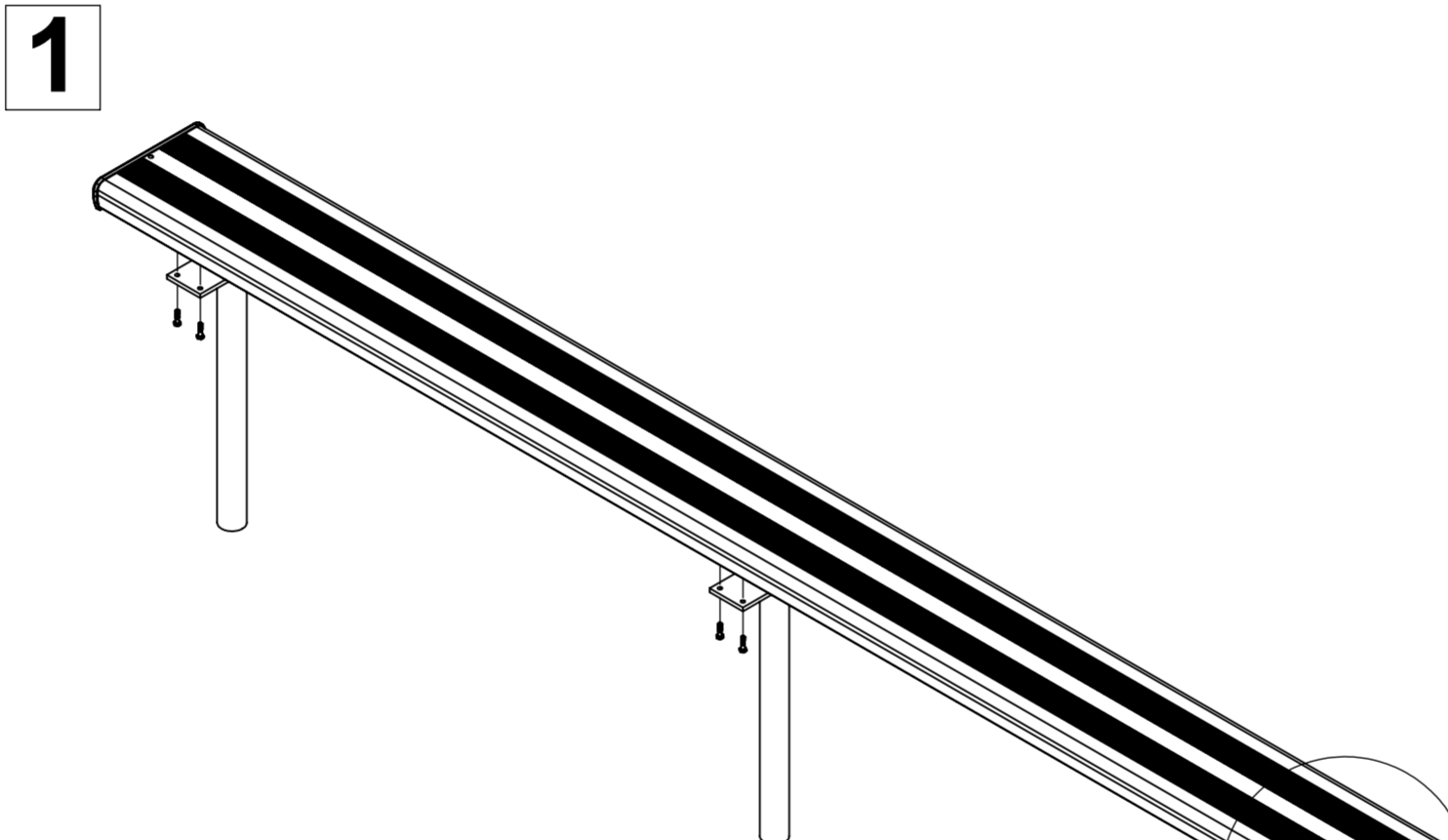
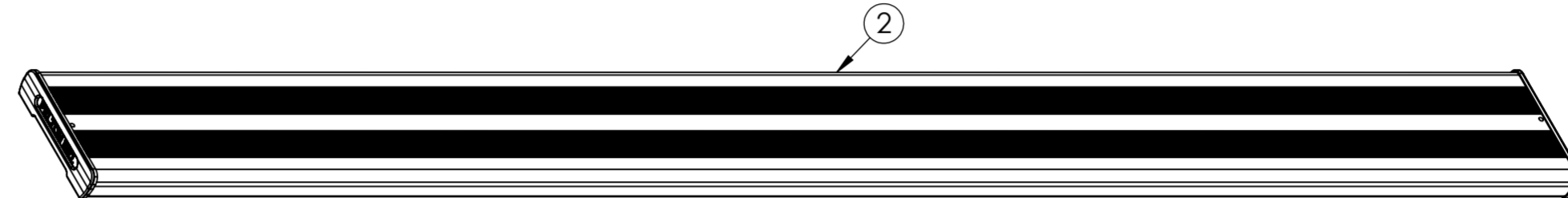
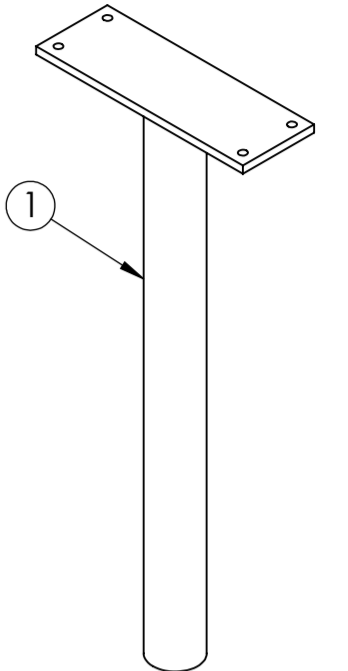
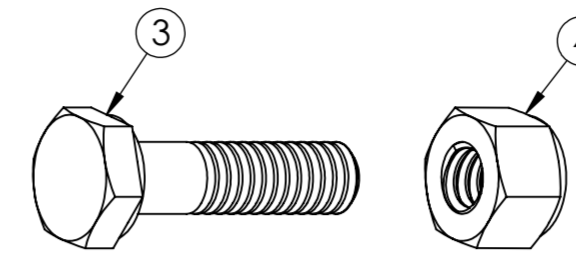


Felton Industries Pty Ltd | ABN: 17 130 687 240

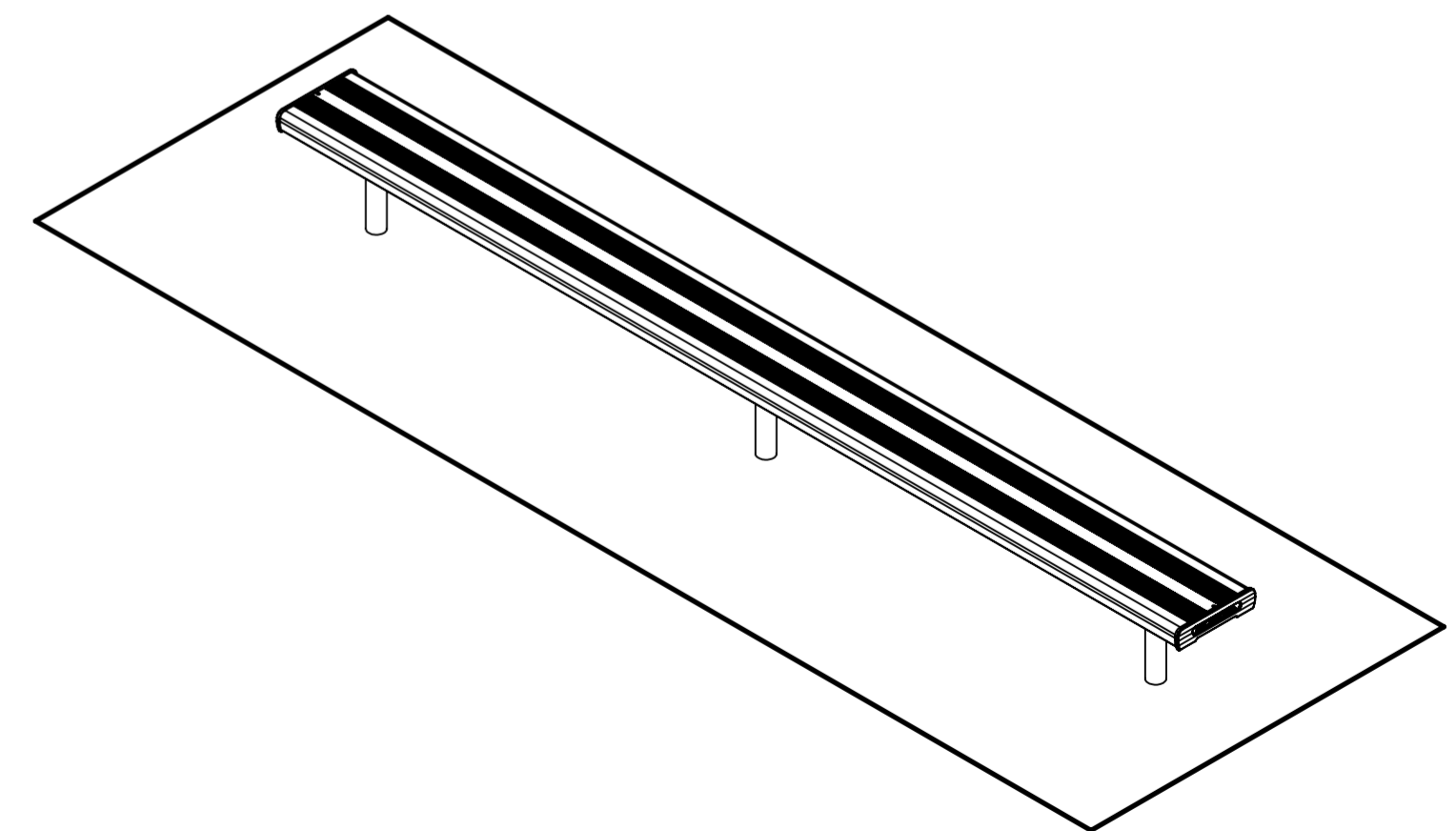
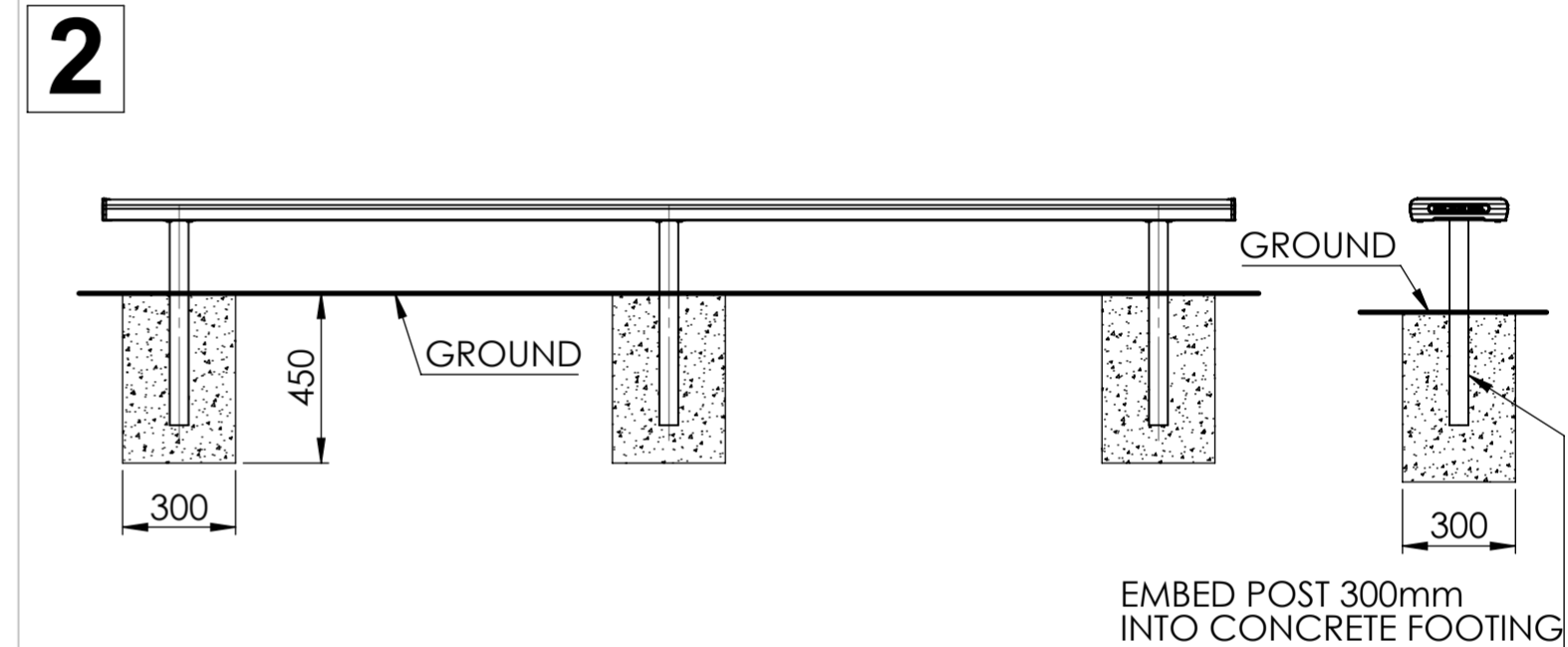


WARNING: This assembly required two or more people as lifting is involved. **Please ensure bolts and nuts are only finger-tightened throughout assembly for flexibility in lining up components.** Bolt and nuts should be securely tightened in place when instructed to do so. Please check all components are included before proceeding with the assembly

ITEM	DESCRIPTION	Qty
1	EZYSIG_IN-GROUND LEG SUPPORT	3
2	EZYSIG3_SEAT PLANK L3000	1
3	AS-NZS 2465 Bolt - 1/4" x 1"	12
4	AS-NZS NYLON Nut - 1/4"	12



Attach the seat plank (2) to three leg supports (1) by using bolts (3) and nuts (4) as illustrated.



Tighten all hexagonal head bolts with spanners and appropriate tools. Then embed the structure min.300mm to the ground. Refer to "specification drawing" for detailed engineering requirement.