

ASSEMBLY INSTRUCTION

Thank You

FOR CHOOSING FELTON INDUSTRIES

MODULAR BUS SHELTER
[Code No: FELMBST]



"This product has been manufactured in Australia to the highest quality standard, guaranteeing proven quality, durability and low maintenance"



☎ 1800 22 00 55

📠 1800 05 91 58

✉ sales@felton.net.au

🌐 www.felton.net.au

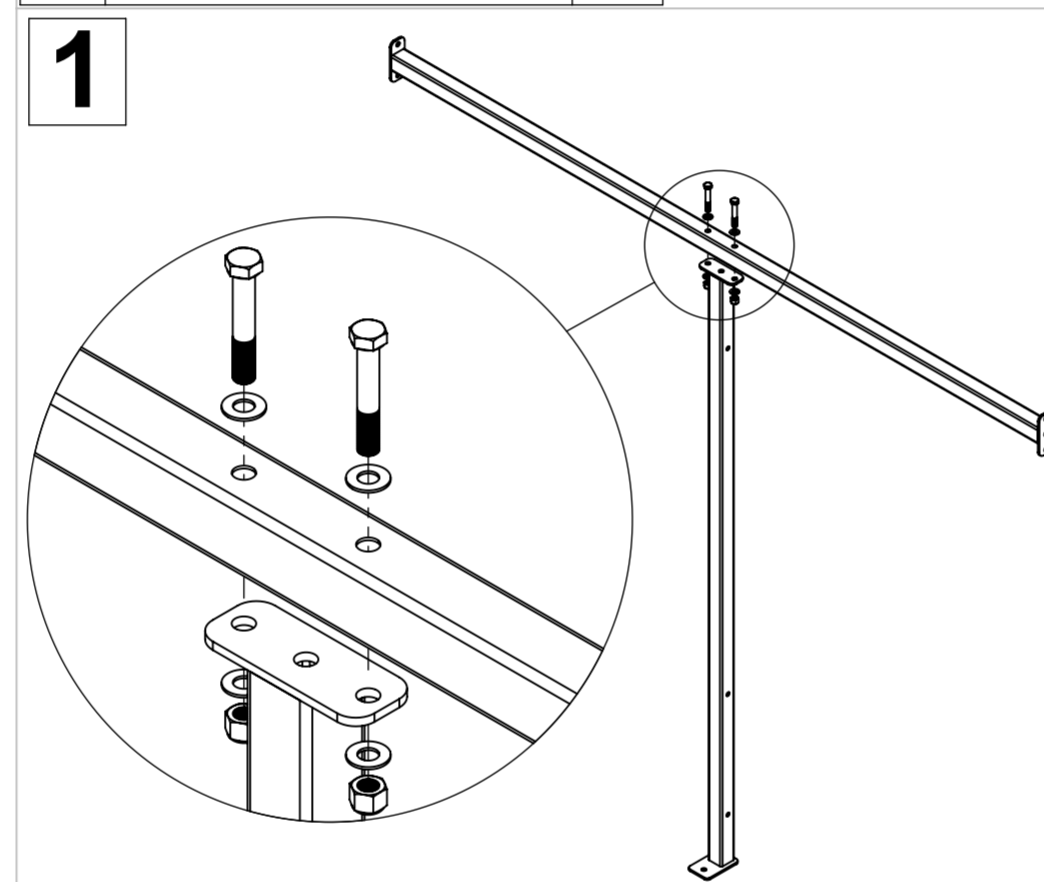
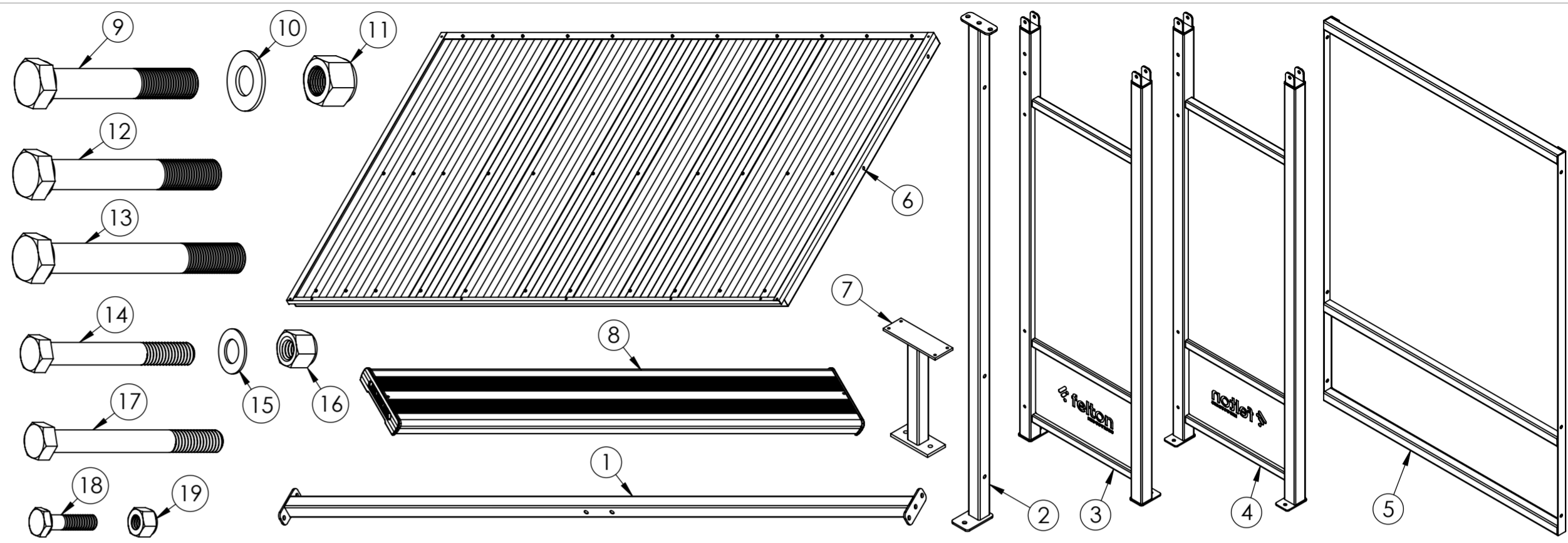


Felton Industries Pty Ltd | ABN: 17 130 687 240

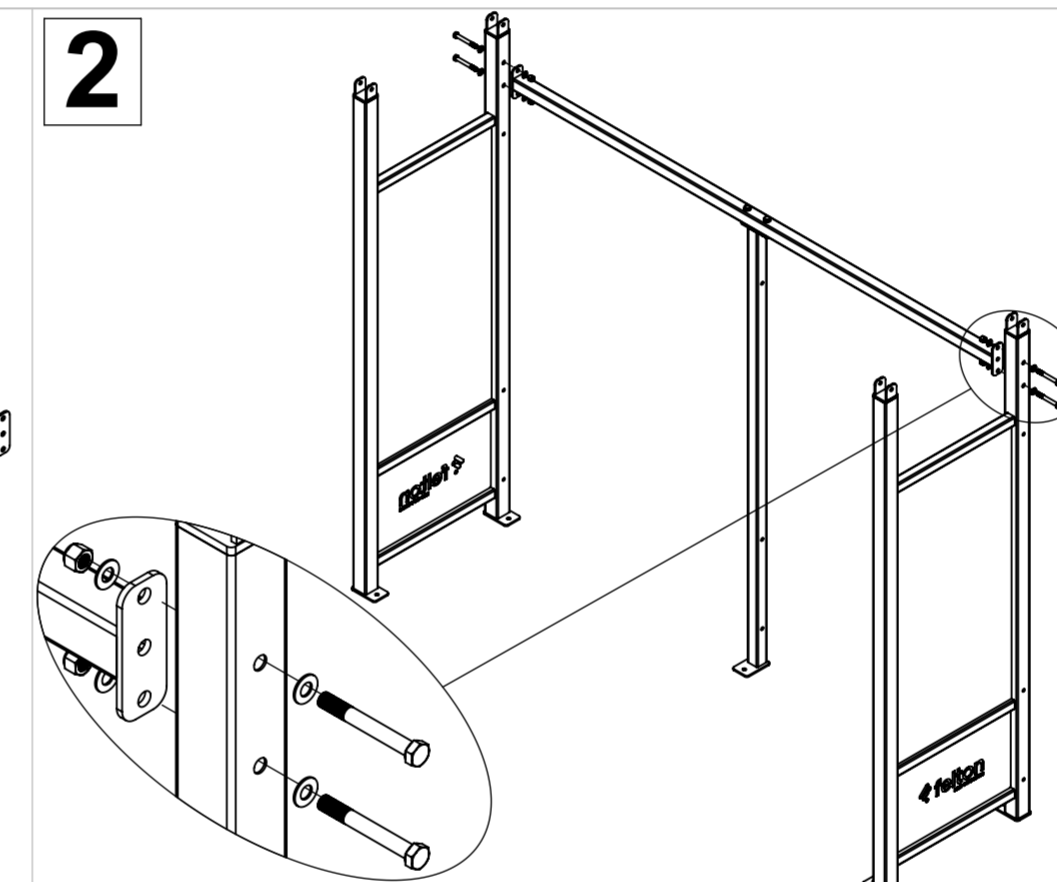


WARNING: This assembly required two or more people as lifting is involved. Please ensure bolts and nuts are only finger-tightened throughout assembly for flexibility in lining up components. Bolt and nuts should be securely tightened in place when instructed to do so. Please check all components are included before proceeding with the assembly

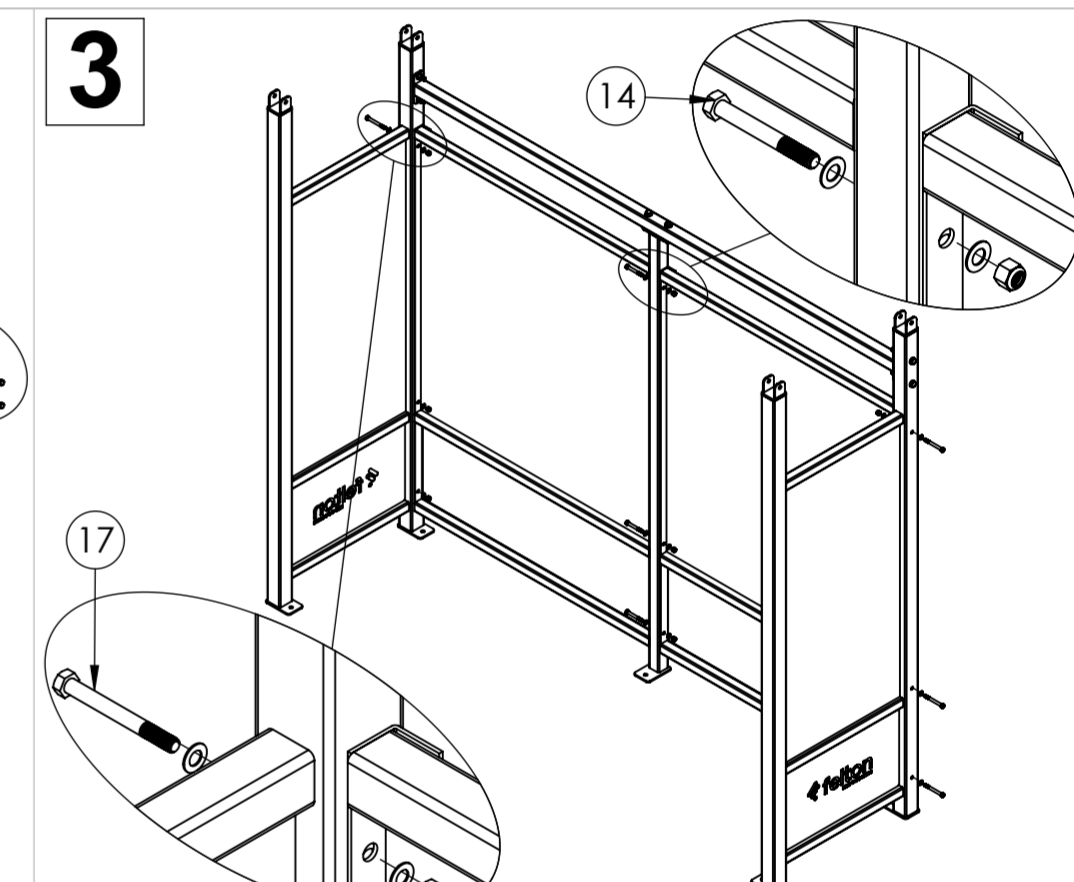
ITEM	DESCRIPTION	Qty
1	FELMBST_CROSS BAR	1
2	FELMBST_UPRIGHT BAR	1
3	FELMBST_LEFT FRAME	1
4	FELMBST_RIGHT FRAME	1
5	FELMBST_BACK MESH PANEL	2
6	FELMBST_ROOF	1
7	FELMBST_LEG SUPPORT	2
8	FELMBST_SEAT PLANK L1800	1
9	AS-NZS 2465 Bolt - 0.5in x 3in	2
10	AS-Flat Washer - 0.5in	20
11	AS-NZS Nylon Nut - 0.5in	10
12	AS-NZS 2465 Bolt - 0.5in x 3.5in	4
13	AS-NZS 2465 Bolt - 0.5in x 4in	4
14	AS-NZS 2465 Bolt - 0.375in x 3in	3
15	AS-Flat Washer - 0.375in	18
16	AS-NZS Nylon Nut - 0.375in	9
17	AS-NZS 2465 Bolt - 0.375in x 3.5in	6
18	AS-NZS 2465 Bolt - 0.25in x 1in	8
19	AS-NZS Nylon Nut - 0.25in	8



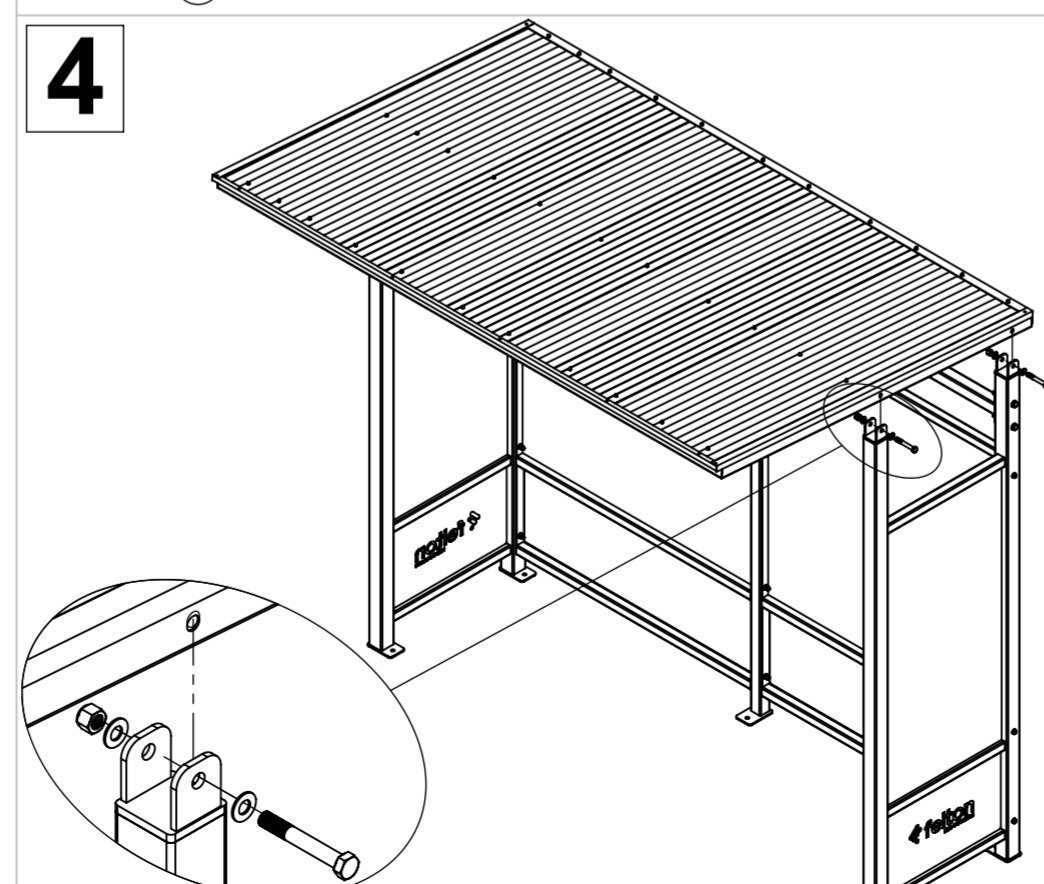
Attach cross bar (1) to upright bar (2) by using bolts (9), washers (10) and nuts (11) as illustrated.



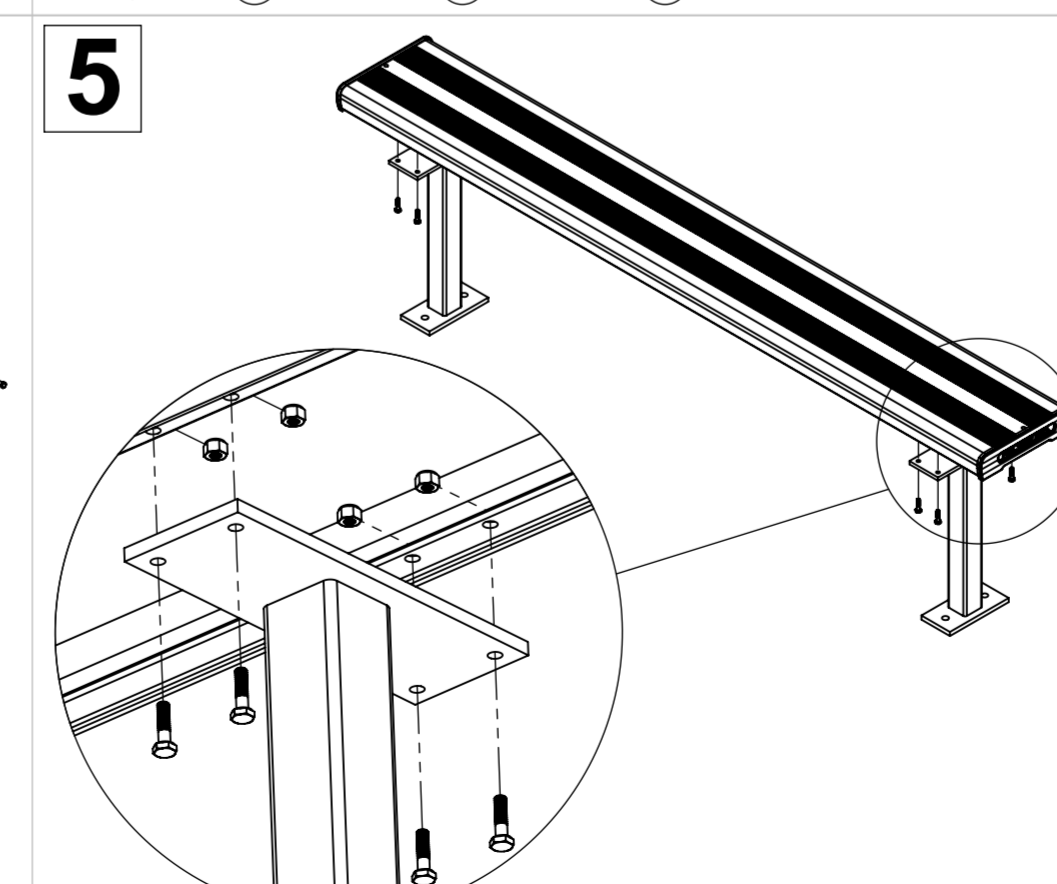
Attach left frame (3) and right frame (4) to the assembly in step 1 by using bolts (13), washers (10) and nuts (11) as illustrated.



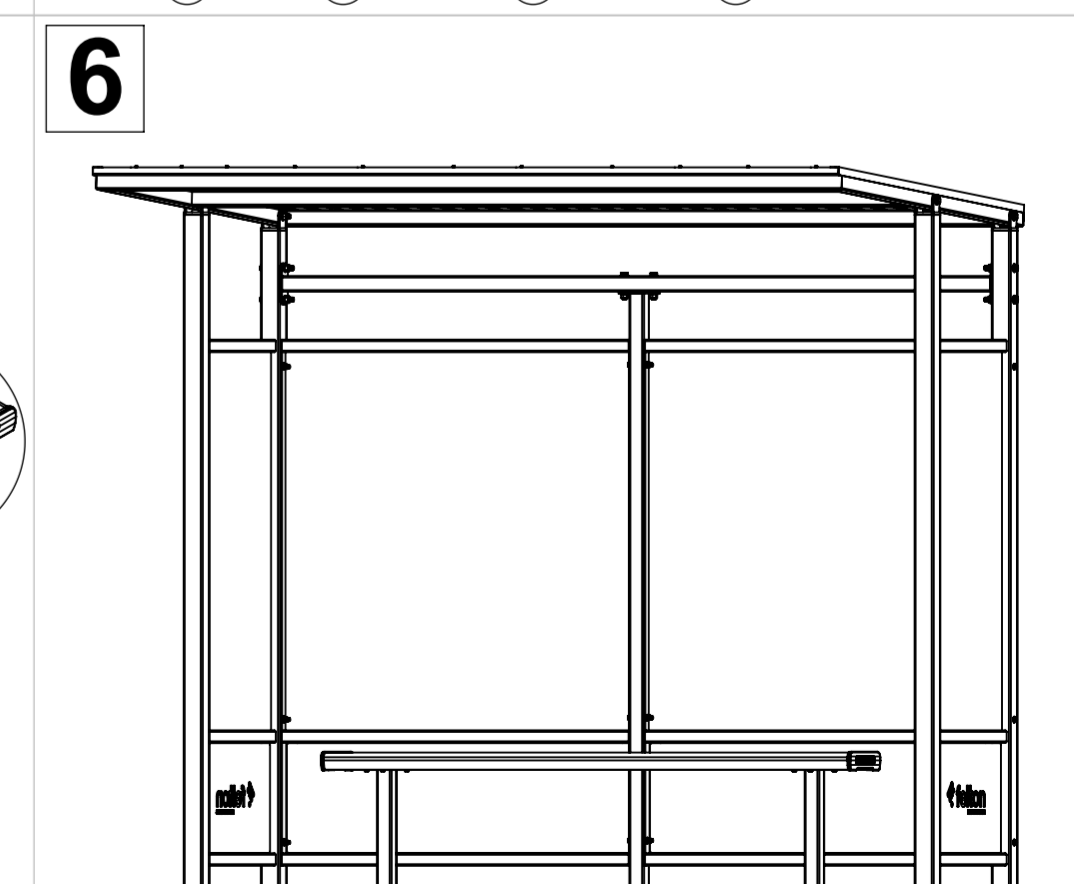
Attach two back mesh panels (5) to the assembly in step 2 by using bolts (14), bolts (17), washers (15) and nuts (16) as illustrated.



Attach the top roof (6) to the assembly in step 3 by using bolts (12), washers (10) and nuts (11) as illustrated.



Attach seat plank (8) to two leg supports (7) by using bolts (18) and nuts (19) as illustrated.



Tighten all hexagonal head bolts with spanners and appropriate tools. Then attach the frame and seating assemblies to the ground by using M12 dyna-bolts preferably, on each frame lug.