

# ASSEMBLY INSTRUCTION

*Thank You*

FOR CHOOSING FELTON INDUSTRIES

**SINGLE SIDED COMBO**  
[Code No: GHSS18]



"This product has been manufactured in Australia to the highest quality standard, guaranteeing proven quality, durability and low maintenance"



☎ 1800 22 00 55

🖨 1800 05 91 58

✉ sales@felton.net.au

🌐 www.felton.net.au

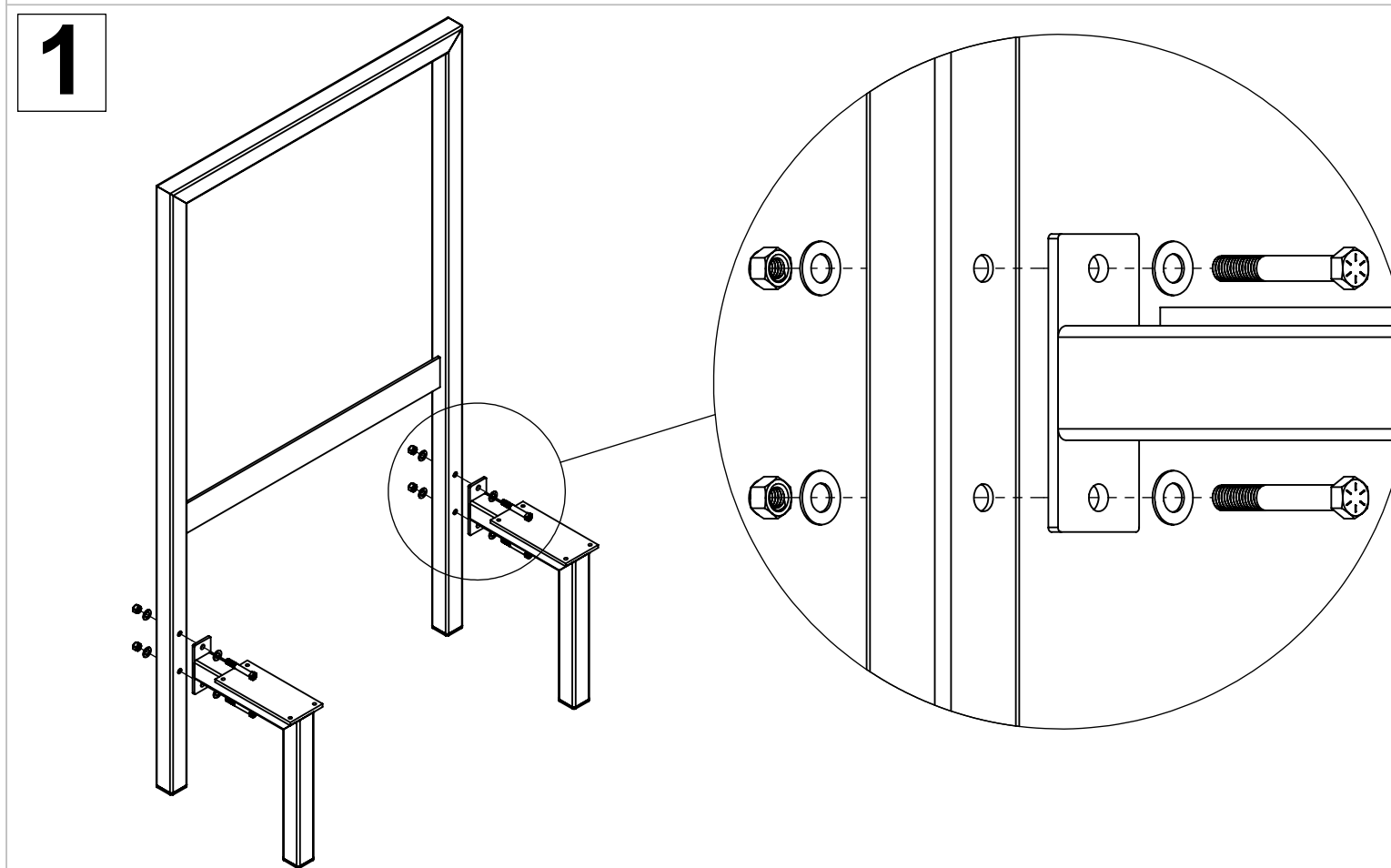
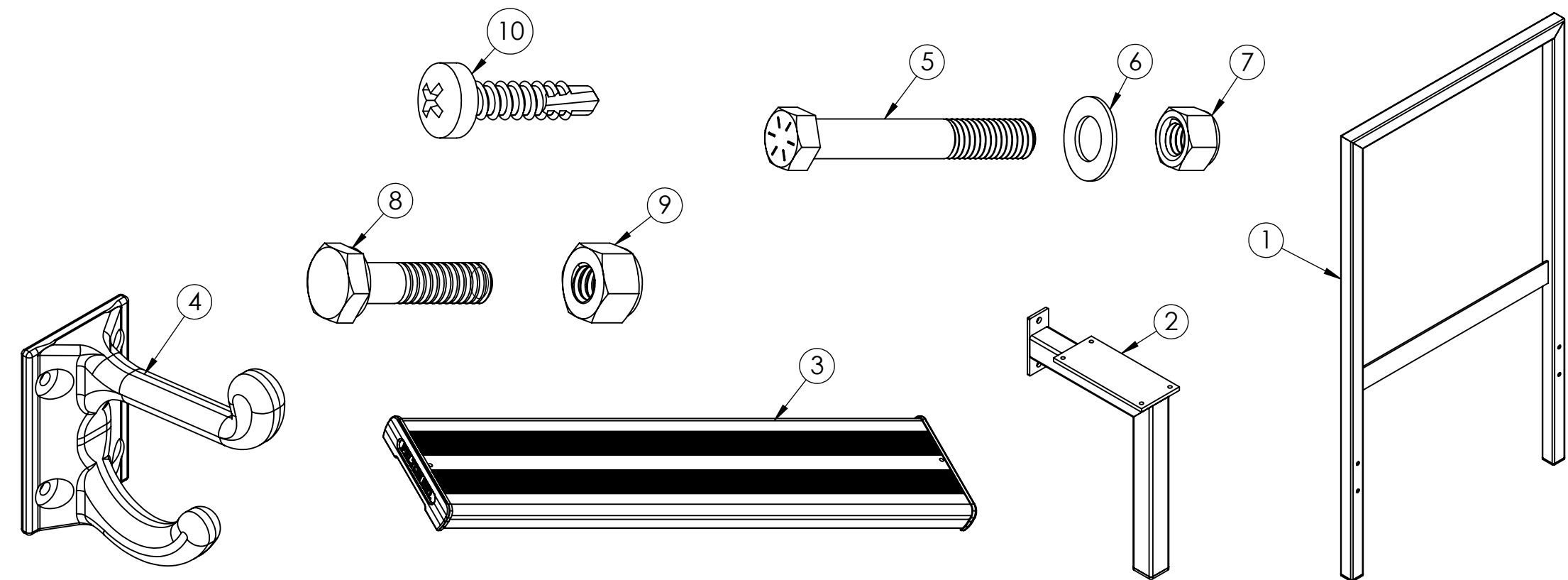


Felton Industries Pty Ltd | ABN: 17 130 687 240

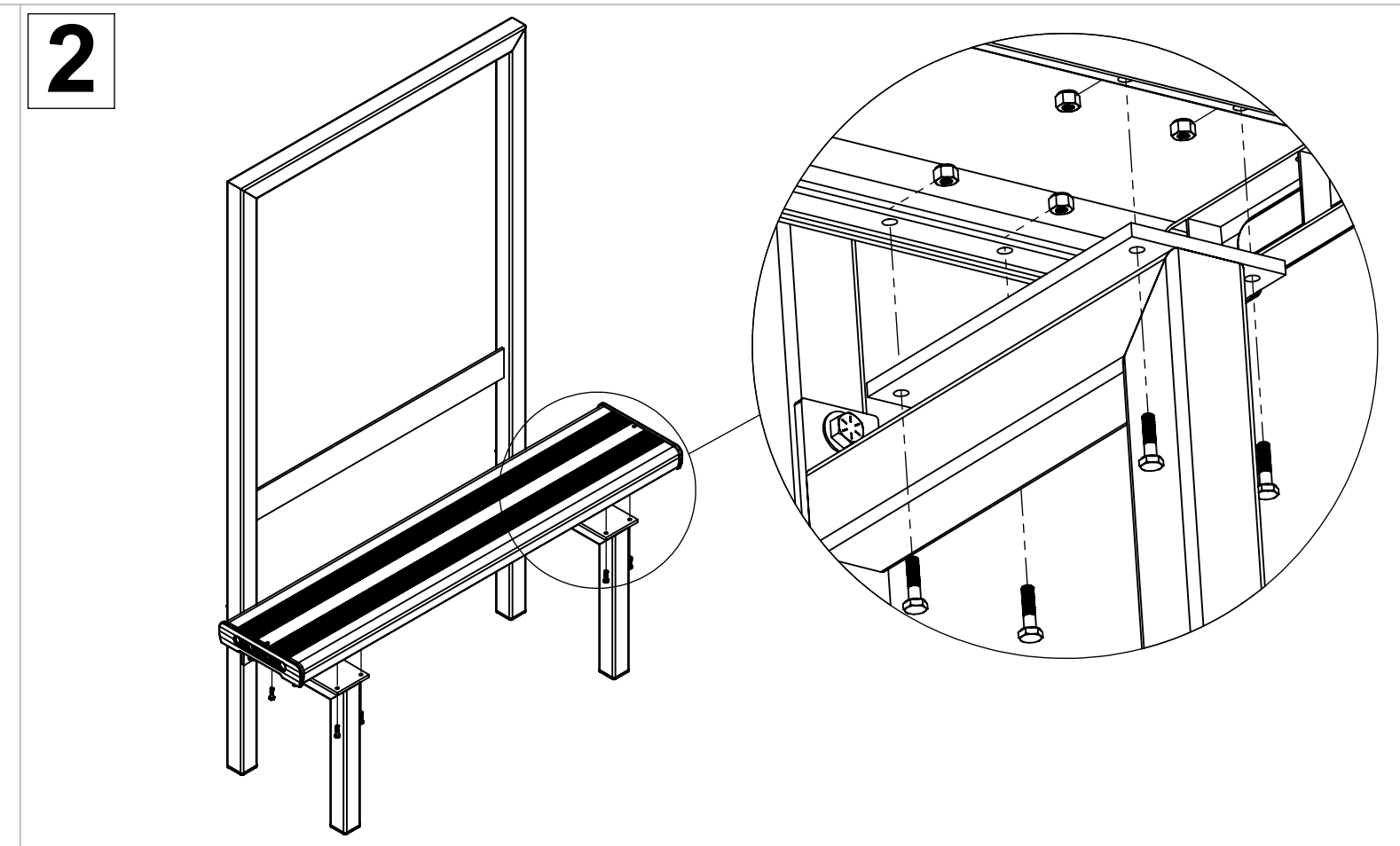


**WARNING:** This assembly required two or more people as lifting is involved. **Please ensure bolts and nuts are only finger-tightened throughout assembly for flexibility in lining up components.** Bolt and nuts should be securely tightened in place when instructed to do so. Please check all components are included before proceeding with the assembly

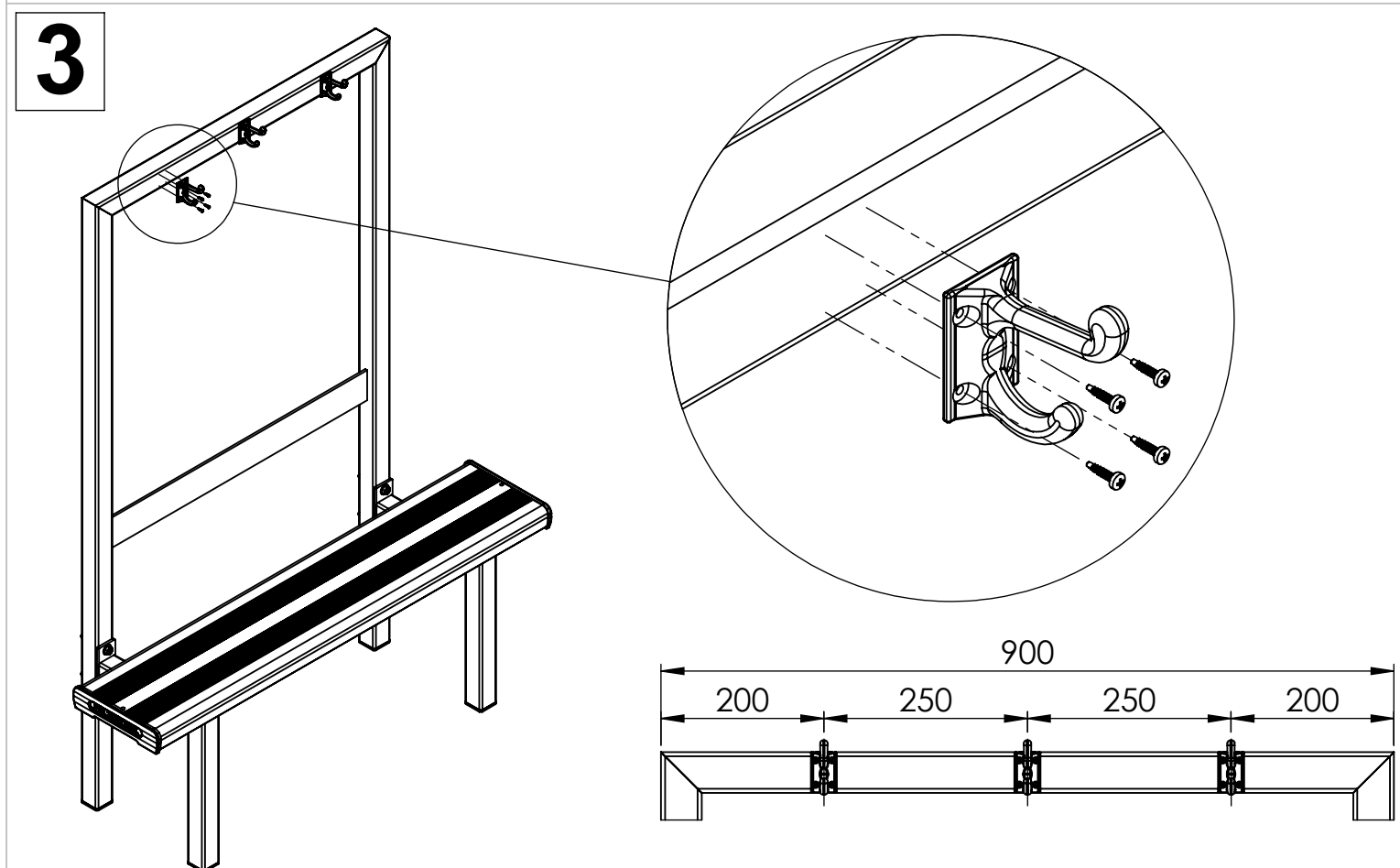
ITEM	DESCRIPTION	Qty
1	GHSS18_MAIN FRAME	1
2	GHSS18_SEAT FRAME	2
3	GHSS18_PLANK L1200	1
4	COAT HOOK	3
5	AS-NZS 2465 Bolt - 3/8" x 3"	4
6	AS-NZS Nylon Washer - 3/8"	8
7	AS-NZS Nylon Nut - 3/8"	4
8	AS-NZS 2465 Bolt - 1/4" x 1"	8
9	AS-NZS Nylon Nut - 1/4"	8
10	Self-Tapping Screw - ST2.9x13	12



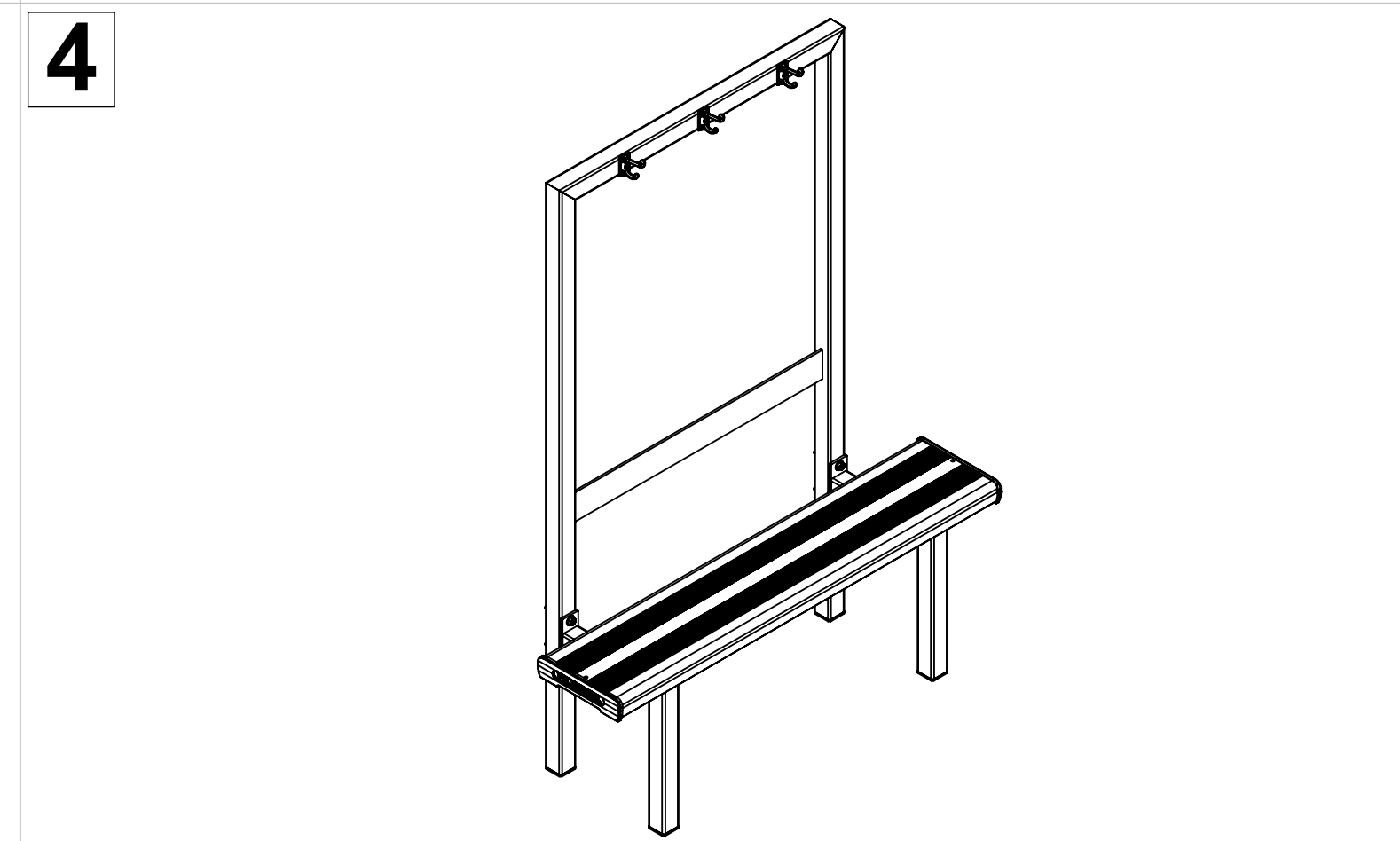
Attach two seat frames (2) to the main frame (1) by using bolts (5), washers (6) and nuts (7) as illustrated



Attach the seat plank (3) to the assembly in step 1 by using bolts (8) and nuts (9) as illustrated



Attach three coat hooks (4) to the top bar of the frame by using self-tapping screws (10) as illustrated



Tighten all hexagonal head bolts with spanners and appropriate tools