

BENCH SEATING

Above Ground Bench Seat With Backrest 3M

Code: FELAGB3520

Set a new benchmark with the classic Felton Above Ground Bench Seat with Backrest. Built to exacting standards, this strong and durable aluminium bench is the perfect solution to your seating problems.



Key Features

- Available in 2, 3 and 4 metre lengths – Custom lengths available
- Rounded edges for safety and comfort
- Marine-grade anodised finish protects in any weather
- Bolt it down and keep it safe
- 3 and 4 metre lengths provided with additional centred leg support
- Coloured Safety End Caps available in red, blue, green, purple, yellow and orange

Ideal for

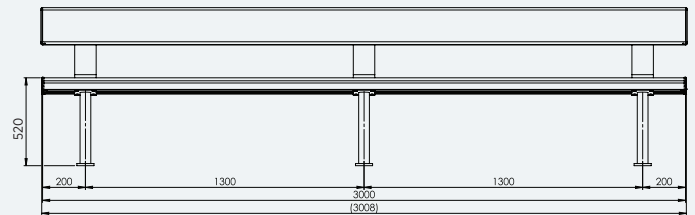
- Parks
- Schools
- Playgrounds
- Any Outdoor Areas



Specifications

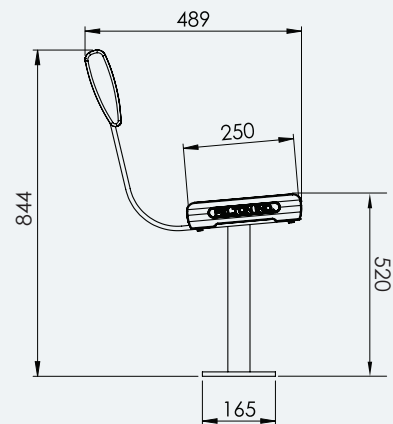
Above Ground Bench Seat With Backrest 3M

Overall Plan: 489mm W x 844mm H x 3008mm L



Total Height: 844mm

Seat Height: 520mm



A Division of Felton International Group Pty Ltd ABN 17 130 687 240

